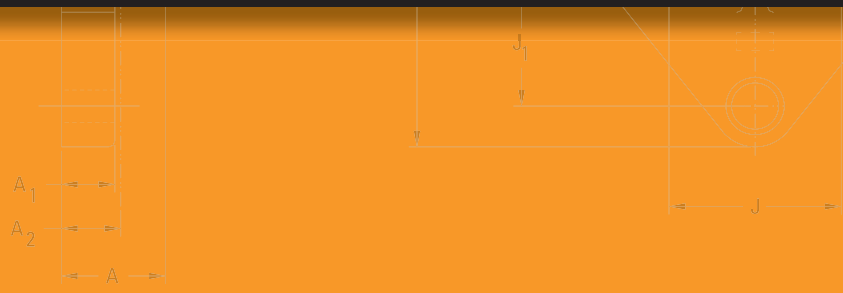


TIMKEN



TIMKEN® CORROSION-RESISTANT BALL BEARING HOUSED UNIT CATALOG



ABOUT THE TIMKEN COMPANY

As a global leader in bearings and power transmission systems, Timken focuses on precise solution design, materials and craftsmanship to deliver reliable and efficient performance that improves productivity and uptime. Timken offers a full range of bearings, gear drives, automated lubrication systems, belts, chains, couplings and linear motion products along with rebuild and repair services. Timken applies its proven expertise in metallurgy, tribology and mechanical power transmission to create innovative approaches to customers' complex needs. Global availability of products and engineering talent, combined with exceptional service delivery across markets, makes Timken a preferred choice worldwide.

To view more Timken catalogs, go to www.timken.com/catalogs for interactive versions, or to download our catalog app to your smart phone or mobile device.

TIMKEN® CORROSION-RESISTANT BALL BEARING HOUSED UNIT CATALOG INDEX

Introduction.....	2
How To Use This Catalog	2
Shelf Life/Storage	3
Warnings	4

ENGINEERING

Housing Styles	6
End Cover Styles.....	7
Product Information.....	8
Nomenclature.....	10
Ball Housed Unit Installation	12
Installing Units with Covers	13
Lubrication.....	14
Radial Internal Clearance.....	15
Speed Ratings.....	15

STAINLESS STEEL BALL BEARING HOUSING UNITS WITH STAINLESS STEEL INSERT

Stainless Steel Two-Bolt Pillow Block Units.....	18
Stainless Steel Four-Bolt Flanged Units.....	20
Stainless Steel Two-Bolt Flanged Units.....	22
Stainless Steel Tapped-Base Units.....	24
Stainless Steel Take-Up Units	26

POLYMER (THERMOPLASTIC) HOUSED UNITS WITH STAINLESS STEEL INSERT

Polymer Two-Bolt Pillow Block Units.....	30
Polymer Four-Bolt Flanged Units.....	32
Polymer Two-Bolt Flanged Units.....	34
Polymer Three-Bolt Flanged Units	36

STAINLESS STEEL BALL BEARING INSERTS

Stainless Steel Set Screw Locking Ball Bearing Inserts. . .	38
---	----

CORROSION-RESISTANT HOUSED UNIT END COVERS

Stainless Steel End Covers.....	42
Polymer End Covers.....	43
End Cover Dimension.....	44

CORROSION-RESISTANT PRODUCT OFFERING.....

46

ADDITIONAL CORROSION-RESISTANT PRODUCT OFFERING.....

47



TIMKEN® CORROSION-RESISTANT BALL BEARING HOUSED UNITS

DESIGNED FOR SAFE, EFFICIENT MANUFACTURING FOR THE FOOD & BEVERAGE INDUSTRY

Today's consumers are demanding safer and healthier food. It's prompting governments to enforce more stringent food safety regulations. Food and beverage manufacturers/producers need premium products that deliver the machinery uptime and food safety that they, their customers and their governments expect.

Meet these challenges head-on with Timken. Our corrosion-resistant ball bearing housed units are an ideal fit for a variety of applications, from grinding and mixing equipment, to extrusion, bagging, conveying and more.

Corrosion-Resistant Ball Bearing Housed Units

Corrosion-resistant materials and food-grade lubricant help elevate food safety and production uptime with improved reliability and protects against corrosion and a variety of wet and dry contaminants, dramatically improving bearing life.

- Stainless steel ball bearing inserts with set screw.
- Housings available in stainless steel or polymer (thermoplastic) and all mounting styles.
- Interchange industry-standard mounted bearing from 20 mm to 50 mm or ¾ in. to 2 in.
- Designed for normal operation between -20° C and 100° C (-4° F and 212° F).
- Solid Lube option.



HOW TO USE THIS CATALOG

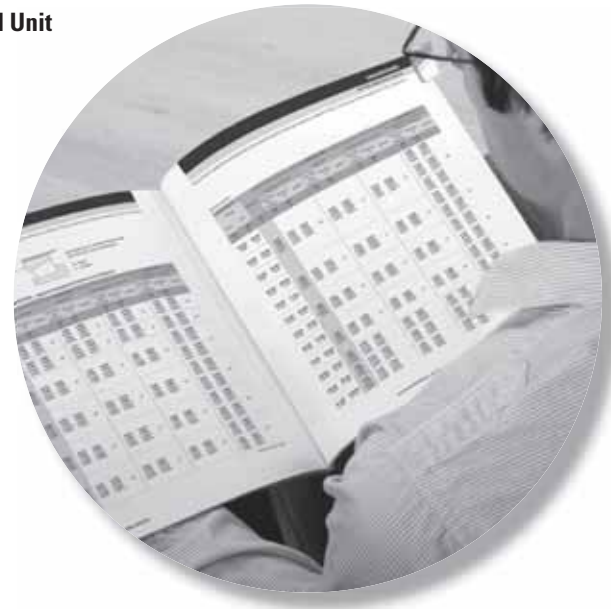
We designed this catalog to help you find the Timken bearings best suited to your equipment needs and specifications. Timken offers an extensive range of bearings and accessories in both imperial and metric sizes. For your convenience, size ranges are indicated in millimeters and inches. Contact your Timken engineer to learn more about our complete line for the special needs of your application.

This publication contains dimensions, tolerances and load ratings, as well as engineering sections describing mounting and fitting practices for shafts and housings, internal clearances, materials and other bearing features.

It provides valuable assistance in the initial consideration of the type and characteristics of the bearings that may best suit your particular needs.

ISO, as used in this publication, refers to the International Organization for Standardization and JIS refers to the Japanese Industrial Standards.

Updates are made periodically to this catalog. Visit www.timken.com/catalogs for the most recent version of the Corrosion-Resistant Ball Bearing Housed Unit Catalog.



SHELF LIFE AND STORAGE OF GREASE-LUBRICATED BEARINGS AND COMPONENTS

To help you get the most value from our products, Timken provides guidelines for the shelf life of grease-lubricated ball and roller bearings, components and assemblies. Shelf life information is based on Timken and industry test data and experience.

SHELF LIFE

Shelf life should be distinguished from lubricated bearing/component design life as follows:

Shelf life of the grease-lubricated bearing/component represents the period of time prior to use or installation.

The shelf life is a portion of the anticipated aggregate design life. It is impossible to accurately predict design life due to variations in lubricant bleed rates, oil migration, operating conditions, installation conditions, temperature, humidity and extended storage.

TIMKEN IS NOT RESPONSIBLE FOR THE SHELF LIFE OF ANY BEARING/COMPONENT LUBRICATED BY ANOTHER PARTY.

European REACH compliance

Timken lubricants, greases and similar products sold in standalone containers or delivery systems are subject to the European REACH (Registration, Evaluation, Authorization and Restriction of CHemicals) directive. For import into the European Union, Timken can sell and provide only those lubricants and greases that are registered with ECHA (European CHemical Agency). For further information, please contact your Timken engineer.

STORAGE

Timken suggests the following storage guidelines for our finished products (bearings, components and assemblies, referred to as "products"):

- Unless directed otherwise by Timken, products should be kept in their original packaging until they are ready to be placed into service.

- Do not remove or alter any labels or stencil markings on the packaging.
- Products should be stored in such a way that the packaging is not pierced, crushed or otherwise damaged.
- After a product is removed from its packaging, it should be placed into service as soon as possible.
- When removing a product that is not individually packaged from a bulk pack container, the container should be resealed immediately after the product is removed.
- The storage area temperature should be maintained between 0° C and 40° C; temperature fluctuations should be minimized.
- The relative humidity should be maintained below 60 percent and the surfaces should be dry.
- The storage area should be kept free from airborne contaminants such as, but not limited to, dust, dirt, harmful vapors, etc.
- The storage area should be isolated from undue vibration.
- Extreme conditions of any kind should be avoided.

Due to the fact that Timken is not familiar with your particular storage conditions, we strongly suggest following these guidelines. However, you may be required by circumstances or applicable government requirements to adhere to stricter storage requirements.

Be careful in selecting lubrication, however, since different lubricants are often incompatible.

When you receive a bearing shipment, do not remove products from their packaging until they are ready for mounting so they do not become corroded or contaminated.

Store bearings and bearing housings in an appropriate atmosphere so they remain protected for the intended period.

**WARNING**

Failure to observe the following warnings could create a risk of death or serious injury.

Proper maintenance and handling practices are critical. Always follow installation instructions and maintain proper lubrication.

Never spin a bearing with compressed air. The components may be forcefully expelled.

Overheated bearings can ignite explosive atmospheres. Special care must be taken to properly select, install, maintain and lubricate housed unit bearings that are used in or near atmospheres that may contain explosive levels of combustible gases or accumulations of dust such as grain, coal, or other combustible materials. Consult your equipment designer or supplier for installation and maintenance instructions.

If hammer and bar are used for installation or removal of a part, use a mild steel bar (e.g., 1010 or 1020 grade). Mild steel bars are less likely to cause release of high speed fragments from the hammer or bar or the part being installed or removed.

Ungrounded bearings can create static electricity that can ignite in an explosive atmosphere such as combustible gases or accumulations of dust such as grain, coal, or other combustible materials. Proper dissipation of such potential static electricity discharge must be assured to prevent any such explosion.

Below -40° C (-40° F), polymer housings may break. Select stainless or steel housings that operate to lower temperatures.

Tensile stresses can be very high in tightly fitted bearing components. Attempting to remove such components by cutting the inner ring may result in a sudden shattering of the component, causing fragments of metal to be forcefully expelled.

Always use properly guarded presses or bearing pullers to remove bearings from shafts, and always use suitable personal protective equipment, including safety glasses.

For additional Timken product warnings, visit www.timken.com/warnings.

CAUTION

Failure to observe the following cautions could result in property damage.

The products cataloged are application specific. Any use in applications other than those intended could lead to equipment failure or to reduced equipment life.

Use of improper bearing fits may cause damage to equipment.

Do not use damaged housed units.

Do not use damaged bearings.

The use of a damaged bearing can result in equipment damage.

NOTE

Do not use excessive force when mounting or dismantling the unit.

Follow all tolerance, fit, and torque recommendations.

Always follow the Original Equipment Manufacturer's installation and maintenance guidelines.

Ensure proper alignment.

Never weld housed units.

Do not heat components with an open flame.

Do not operate at bearing temperatures above 121° C (250° F).

DISCLAIMER

This catalog is provided solely to give you analysis tools and data to assist you in your product selection. Product performance is affected by many factors beyond the control of Timken. Therefore, you must validate the suitability and feasibility of all product selections.

Timken products are sold subject to Timken terms and conditions of sale, which include our limited warranty and remedy. You can find these at <https://www.timken.com/legal-notices/termsandconditionsofsale/>.

Please consult with your Timken engineer for more information and assistance. Every reasonable effort has been made to ensure the accuracy of the information in this writing, but no liability is accepted for errors, omissions or for any other reason.



ENGINEERING

Timken offers a full range of standard corrosion-resistant ball bearing housed units with stainless steel set screw inserts in both metric and imperial sizes.

The following topics are covered within this section:

Housing Styles 6

End Cover Styles 7

Product Information 8

Nomenclature 10

Ball Housed Unit Installation 12

Installing Units with Covers 13

Lubrication 14

Radial Internal Clearance 15

Speed Ratings 15










To view more Timken catalogs, go to www.timken.com/catalogs for interactive versions, or to download the Timken catalog app for your smart phone or mobile device scan the QR code or go to timkencatalogs.com.

HOUSING STYLES

Timken offers corrosion-resistant housings made of stainless steel or polymer (thermoplastic).

**TABLE 1.
HOUSED UNIT MODEL LIST**

Model	Insert Material	Locking Style	Housing Material	Model Code	Shaft Diameter				Dimension Table Page Number	
					Min.	Max.	Min.	Max.		
					in.		mm			
	Ball Bearing Inserts	Stainless Steel (S)	Set Screw (UC)	–	SUC	¾	2.0	20	50	40, 41
	Pillow Block Units (P)	Stainless Steel (S)	Set Screw (UC)	Stainless Steel (S)	SUCSP	¾	2.0	20	50	18, 19
				Polymer (PL)	SUCPLP					30, 31
	Two-Bolt Flange Units (FL)	Stainless Steel (S)	Set Screw (UC)	Stainless Steel (S)	SUCSFL	¾	2.0	20	50	22, 23
				Polymer (PL)	SUCPLFL					34, 35
	Three-Bolt Flange Unit (FB)	Stainless Steel (S)	Set Screw (UC)	Polymer (PL)	SUCPLFB	¾	1 7/16	20	35	36, 37
	Four-Bolt Flange Units (F)	Stainless Steel (S)	Set Screw (UC)	Stainless Steel (S)	SUCSF	¾	2.0	20	50	20, 21
				Polymer (PL)	SUCPLF					32, 33
	Take-Up Units (T)	Stainless Steel (S)	Set Screw (UC)	Stainless Steel (S)	SUCST	¾	2.0	20	50	26, 27
	Tapped Base (TB)	Stainless Steel (S)	Set Screw (UC)	Stainless Steel (S)	SUCSTB	¾	2.0	20	50	24, 25



END COVER STYLES

Timken offers corrosion-resistant open and closed end covers made of stainless steel or polymer (thermoplastic), that can be used for additional protection.

Covers for ball bearing housed units are available in two different materials (stainless steel and polymer) and two

different configurations (open and closed). The appropriate cover part numbers are shown in the product tables. Stainless steel end covers are intended for stainless steel housings only. Polymer end covers can be installed in either stainless steel or polymer housings.

**TABLE 2.
END COVER MODEL LIST**

Model	End Cover Material	Model Code	Shaft Diameter				Dimension Table Page Number
			Min.	Max.	Min.	Max.	
			in.		mm		
	Stainless Steel (S)	ECS-U, EOS-U	¾	2.0	20	50	44
	Polymer (P)	ECP-U, EOP-U	¾	2.0	20	50	45

Timken polymer end covers have drain holes that allows water that enters to cover to drain out.

PRODUCT INFORMATION

STAINLESS STEEL PRECISION FORMED FLINGER

Provides the first level of protection against contamination.

HIGH-PERFORMANCE THREE ELEMENT SEAL

Offers additional levels of protection with a bonded nitrile rubber seal engineered interfaces contacting the flinger and inner ring, and an inward facing lip allows grease to move toward the balls and raceways. The three element sealing system is designed to protect during washdown, keeping contaminants out and grease in.

HARDENED AND GROUND SEAL LAND

Helps protect against abrasive wear, extending seal life.

STAINLESS STEEL OUTER RING WITH SPHERICAL OUTSIDE DIAMETER

Engineered fit between bearing and housing to improve bearing life.

LUBRICATION DELIVERY SYSTEM

Precision-machined lubrication groove and holes in the outer ring of the bearing. Standard bearings are pre-lubricated with food grade grease, with Solid Lube options also available.

STAINLESS STEEL BALLS AND STAINLESS STEEL CAGE

Stainless steel cage provides effective ball guidance and high-temperature service capability. Metal detection is possible since the entire bearing is made of metal.

STAINLESS STEEL WIDE INNER RING BALL BEARING INSERT

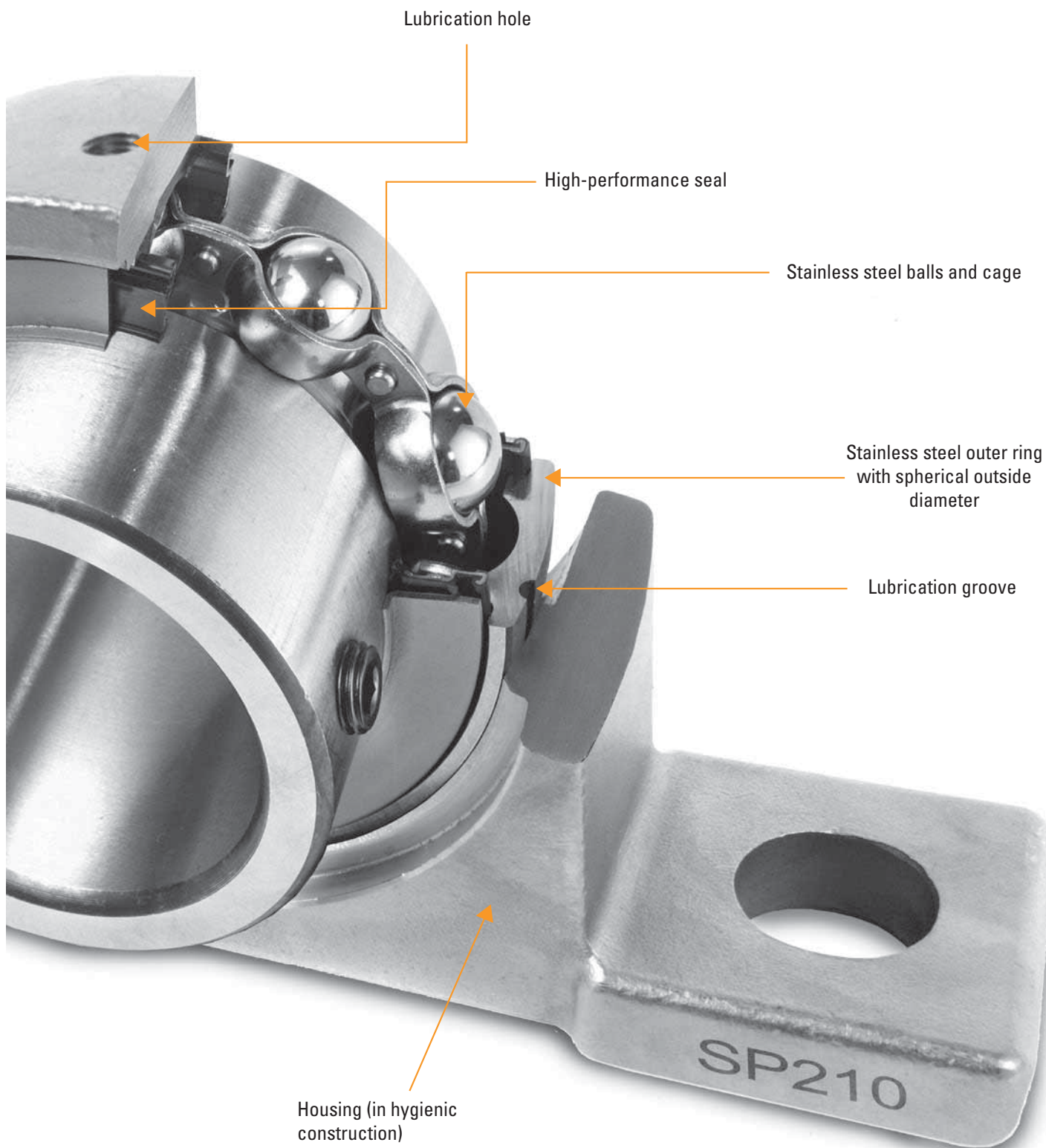
Improved shaft support over narrow rings, improving bearing life and reducing misalignment.

STAINLESS STEEL AND POLYMER HOUSING OPTIONS

Hygienic construction with laser marking, solid base and smooth surface for maximum cleanability.



Fig. 1. Diagram of a corrosion-resistant pillow block housed unit.



NOMENCLATURE

CORROSION-RESISTANT BALL BEARING HOUSED UNIT

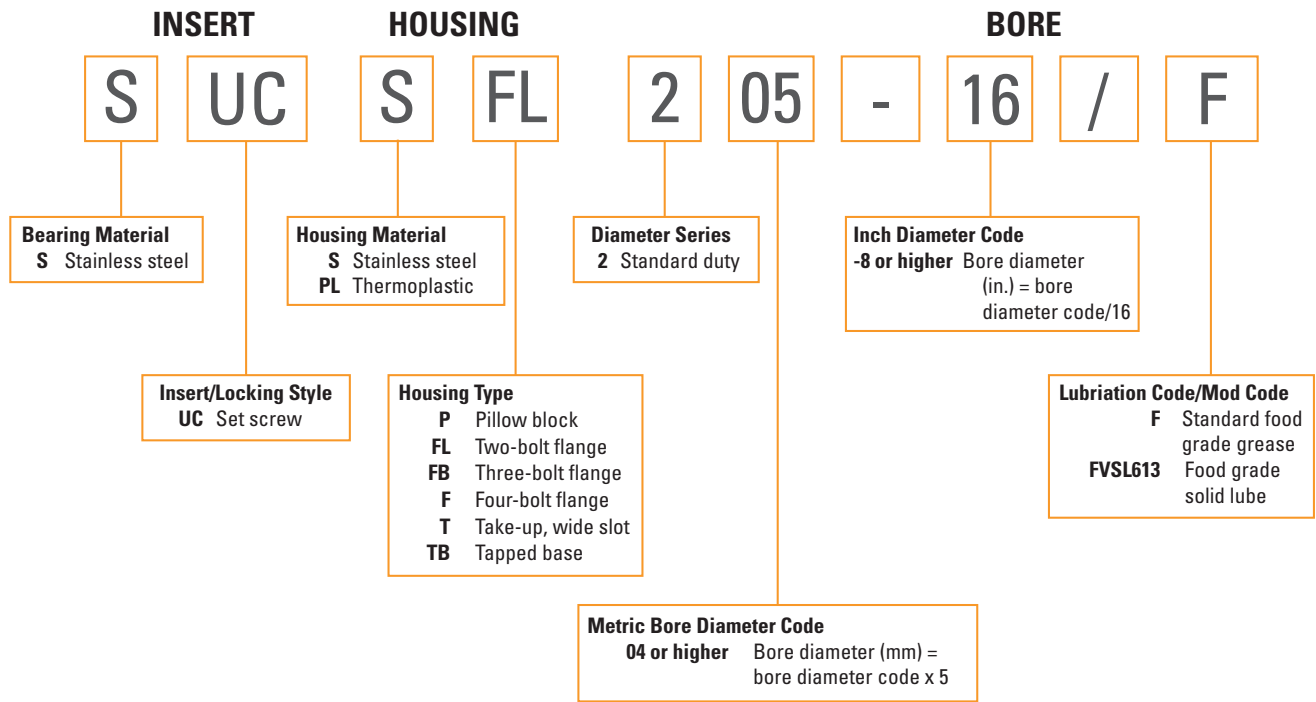


Fig. 2. Corrosion-resistant ball housed unit nomenclature.

CORROSION-RESISTANT BALL BEARING HOUSED UNIT END COVER

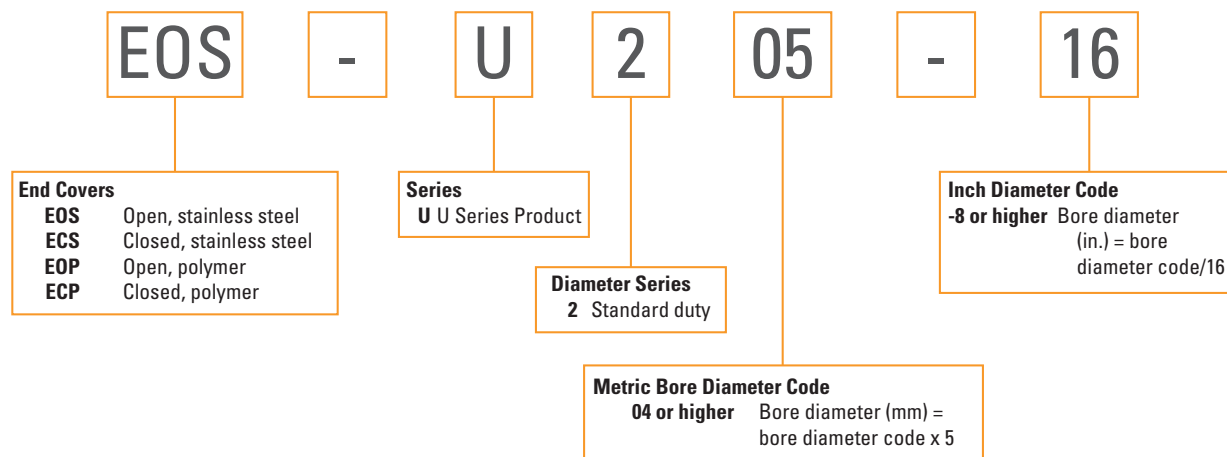


Fig. 3. Corrosion-resistant ball housed unit end cover nomenclature.

BALL HOUSED UNIT INSTALLATION

SET SCREW STYLE UNITS

Set screw style units are mounted on the shaft with the help of two set screws in the inner ring located at 120 degrees to each other. The set screw locking mechanism provides ease in mounting and is suitable for applications where the shaft rotation is bidirectional.

Installation procedures for set screw style units are shown below.

1. Ensure that the shaft is clean, free from burrs, straight and of proper diameter. The bearing should not be mounted on a worn section of the shaft. Using shafts with hardness greater than HRC 45 will reduce effectiveness of locking devices. See table 3 for suggested shaft tolerances.
2. Install the supplied grease fitting into the threaded lubrication hole on the housing. Align the bearing in its housing and slide the unit into position on the shaft.

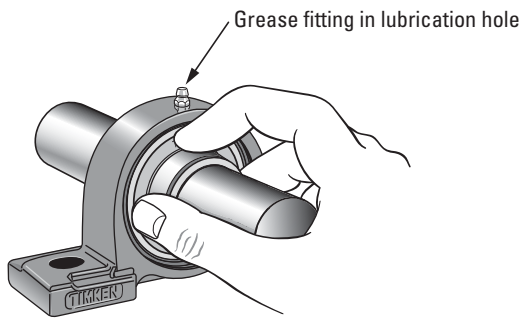


Fig. 4. Installing grease fitting into threaded lubrication hole.

3. Bolt the housing tightly to its mounting supports using an appropriately sized fastener and suggested bolt torque (table 4). Flat washers should be used when installing any kind of housed unit. Washers should be properly sized to bolt diameter.

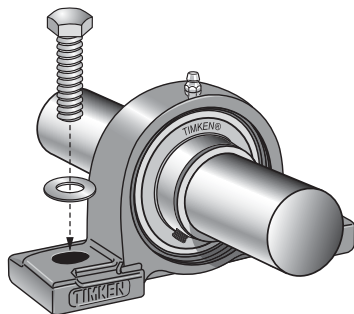


Fig. 5. Bolting the housing.

4. Lock the bearing to the shaft by tightening each inner ring set screw incrementally to suggested torque levels (table 5).

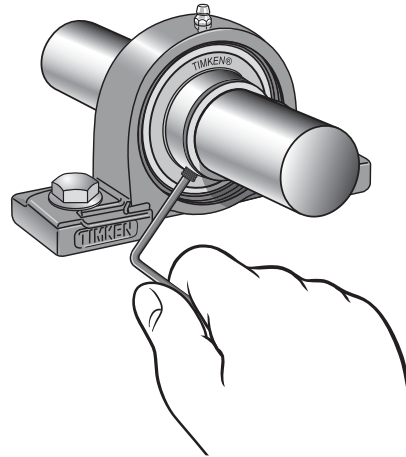


Fig. 6. Locking the bearing.



TECHNICAL DATA

The following tables provide important installation details related to shaft tolerance, recommended torque for set screws and mounting bolts.

TABLE 3.
SUGGESTED SHAFT TOLERANCE ⁽¹⁾

Shaft Size		Shaft Tolerance	
Over	Incl.	Min.	Max.
mm in.	mm in.	mm in.	mm in.
20 0.750	30 1.000	0 0.000	-0.013 -0.0005
30 1.125	50 1.938	0 0.000	-0.016 -0.0006

⁽¹⁾ These are for normal service; for heavy loads, high speeds or vertical shaft applications, consult your equipment manufacturer or your local Timken representative.

TABLE 4.
SUGGESTED MOUNTING BOLT TORQUE

Bolt Size	Tightening Torque	Bolt Size	Tightening Torque
mm	N-m	in.	ft.-lbs.
M8	6 – 10	5/16	4 – 7
M10	12 – 21	3/8	9 – 16
M12	21 – 37	7/16	16 – 27
M14	34 – 60	1/2	26 – 44
M16	53 – 93	5/8	39 - 69

TABLE 5.
SUGGESTED SET SCREW TIGHTENING TORQUE

Set Screw Size	Tightening Torque	Applicable Bore Ranges
mm	N-m	
M6 x 0.75	4	204 - 206
M8 x 1	8	207 - 210

INSTALLING UNITS WITH COVERS

Installation procedures for housed units with covers.

1. Install covers after installing the housed unit.
2. Make sure the groove for the cover in the housing is clean and free of contamination.
3. Some application conditions may warrant filling the end covers with grease prior to installation.
4. When using an open cover, apply grease all around the seal lip and slide it onto the shaft.
5. Press the cover into the groove.
 - a. When using a polymer cover, press it into the groove until it is fully seated. Ensure that the drain hole is positioned directly downward.
 - b. When using a stainless steel cover, tap all around the cover with a plastic mallet until it is fully seated.



Fig. 7. End covers.

LUBRICATION

GREASE

Ball bearings must be lubricated to minimize friction between balls and raceways as well as between balls and cages. Lubricants can also help protect the bearings from corrosion and ingress of contaminants.

Timken corrosion-resistant U series bearings are factory pre-lubricated. They feature food-grade grease chosen for rust, corrosion and washdown resistance. The standard grease supplied by Timken is Mobil SHC™ Polyrex 462. This synthetic-oil based, advanced polyurea-thickened grease is registered under NSF H1 category. It complies with the Food and Drug Administration’s guidelines for lubricants with incidental food contacts under 21.CFR 178.3570. The grease is also Kosher certified. Mobil SHC Polyrex 462 maintains proper lubrication for a wide range of operating temperatures from -20° C to 170° C (-4° F to 338° F).

Timken corrosion-resistant U series ball bearings are pre-lubricated. However, it is advised to re-lubricate periodically in some applications for which these units are designed. Consult your equipment manufacturer’s operating manual for the specific relubrication cycle. General guidelines are found in table 6 below.

**TABLE 6.
GENERAL RELUBRICATION SUGGESTIONS
FOR GREASED BEARINGS ⁽¹⁾**

Condition	Relubrication Interval
Indoor service, no washdown	Not required
Outdoor service	Two or three times per year
Severe outdoor exposure and washdown	Once a month
High contamination and severe washdown	Once a week

⁽¹⁾ As a guideline, relubricate until the first indication of grease is observed purging from the bearing.

SOLID LUBE

Timken® Solid Lube provides a lubricating alternative to grease in harsh environments.

Solid Lube is a micro-porous polymer structure combined with high-performance oils and additives. It completely fills the free volume in the bearing between the races, rolling elements and the cage. Thanks to its micro-porous structure, the solid lubricant can contain up to three times as much oil as a similar volume of grease.

During bearing rotation, the solid lubricant polymer releases the appropriate amount of oil to lubricate the rolling elements and raceways.

Timken Solid Lube features:

- **Hygienic.** Its unique makeup helps prevent lube from contaminating food products. Some Solid Lube grades have NSF H1 registration.
- **Protected.** Full-fill and large-oil reservoir helps guard against washdown and ingress of contaminants for safe and reliable operation.
- **Cost-effective.** Timken Solid Lube helps reduce your operating costs and increase operational productivity.
- **Versatile.** With a wide range of Solid Lube solutions, we can match application requirements, including extreme temperatures or washdown environments.

Timken/FVSL613 Solid Lube option contains an NSF H1 registered synthetic oil that complies with FDA guidelines for lubricants with incidental food contacts under 21.CFR 178.3570. It maintains proper lubrication for a wide range of operating temperatures from -45° C to 93° C (-49° F to 199° F) and provides protection against corrosion.

Other Solid Lube options are available for applications with higher temperatures, extreme chemical harshness or for industrial applications. For further information, please contact your Timken engineer.

RADIAL INTERNAL CLEARANCE

During ball bearing manufacturing, it's standard practice to assemble rings and rolling elements with a specified internal clearance. This characteristic is necessary to absorb the loss of clearance due to thermal gradient within the bearing. Internal clearance in an application is an important factor that has a significant influence on bearing performance, as well as characteristics of heat, noise and vibration.

**TABLE 7.
INTERNAL CLEARANCE**

Nominal Bearing Bore Dia. d		Radial Internal Clearance	
Over	Incl.	Min.	Max.
µm			
20	24	13	28
24	30	13	28
30	40	15	33
40	50	18	36

SPEED RATINGS

Many factors influence the maximum speed at which a mounted ball bearing can operate. These include the bearing design, seal design, lubricant selection and variable environmental conditions.

Maximum operating speeds are defined to maintain reasonable operating temperatures within the bearing. Going above these speed suggestions could result in high temperatures, less than desirable bearing performance, and/or degraded sealing performance. Proper maintenance is key when operation is at or near these published maximum speeds. Maximum allowable operating speeds may need to be adjusted for extreme environmental conditions like extreme temperatures.

Table 8 shows the standard allowable rotating speeds for Timken stainless steel ball bearings. These speeds apply for both grease lubricated bearings and bearings with Timken Solid Lube.

**TABLE 8.
ALLOWABLE ROTATING SPEED FOR HOUSED UNITS**

Bore Dia. Code	Speed
	RPM
04	5800
05	5100
06	4300
07	3700
08	3300
09	3100
10	2800

Remarks:

1. Allowable rotating speed of bearing units with covers is 80 percent of the value shown in the table 8.
2. When a bearing unit is used with excessively loose fit, the allowable rotating speed must be calculated by multiplying it by the fitting factor f_c shown in the below table 9.

**TABLE 9.
FITTING FACTOR f_c FOR HOUSED UNITS**

Type of Ball Bearing Units	Fitting Factor f_c Shaft Tolerance Range Class				
	j6	h6	h7	h8	h9
UC set screw locking	1	1	0.8	0.5	0.2

3. The allowable rotating speed of bearing unit used with Solid Lube is given for temperature of the bearing environment of 20° C (68° F). As a signification increased in bearing operating temperature is expected, the speed rating is be reduced when bearing environment is above 20° C (68° F). For further information, please contact your Timken engineer.

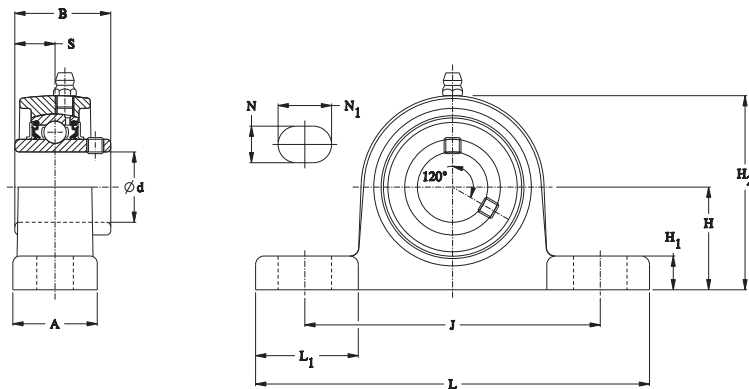


**STAINLESS STEEL
HOUSED UNIT WITH
STAINLESS STEEL INSERTS**

The following topics are covered within this section:

Stainless Steel Two-Bolt Pillow Block Units	18
Stainless Steel Four-Bolt Flanged Units	20
Stainless Steel Two-Bolt Flanged Units	22
Stainless Steel Tapped-Base Units	24
Stainless Steel Take-Up Units	26

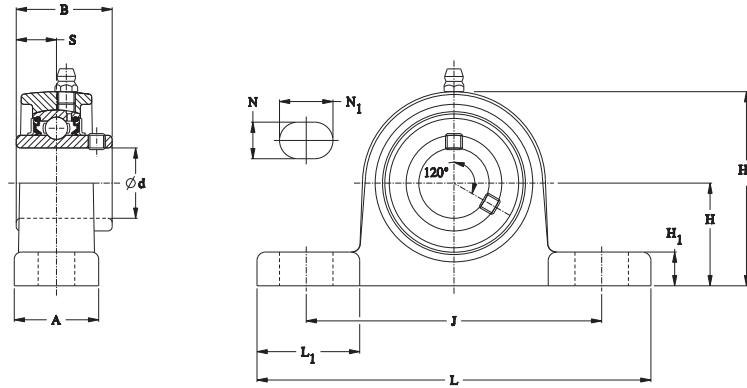
STAINLESS STEEL TWO-BOLT PILLOW BLOCK UNITS



Shaft Dia. d		Pillow Block Designation	Bearing Designation	Basic Load Ratings		Dimensions											Bolt Size	Wt.				
				Dynamic C _r	Static C _{0r}	H	L	L ₁	A	H ₁	J	H ₂	S	B	N	N ₁						
mm	in.			kN lbs.	kN lbs.	mm in.	mm in.	mm in.	mm in.	mm in.	mm in.	mm in.	mm in.	mm in.	mm in.	mm in.	mm in.	mm in.	mm in.	mm in.	mm in.	kg lbs.
20	3/4	SUCSP204-12/F	SUC204-12/F	10.9 2450	5.35 1203	33.3 1 5/16	127 5	33.0 1 1/4	30 1 3/16	11 7/16	95 3 3/4	63 2 1/2	12.7 0.500	31.0 1.220	13 1/2	18 23/32	M10 3/8	0.6 1.3				
		SUCSP204/F	SUC204/F																			
25	7/8	SUCSP205-14/F	SUC205-14/F	11.9 2675	6.30 1416	36.5 1 7/16	140 5 1/2	36.5 1 7/16	30 1 3/16	12 1/2	105 4 1/8	69 2 23/32	14.3 0.563	34.1 1.343	13 1/2	19 3/4	M10 3/8	0.7 1.5				
	1 1/16	SUCSP205-15/F	SUC205-15/F																			
		SUCSP205/F	SUC205/F																			
30	1	SUCSP205-16/F	SUC205-16/F	16.5 3709	9.05 2035	42.9 1 11/16	165 6 1/2	43.5 1 23/32	36 1 13/32	13 1/2	121 4 3/4	81 3 1/16	15.9 0.626	38.1 1.500	17 2 1/2	21 13/16	M14 1/2	1.1 2.4				
	1 1/8	SUCSP206-18/F	SUC206-18/F																			
		SUCSP206/F	SUC206/F																			
	1 3/16	SUCSP206-19/F	SUC206-19/F																			
35	1 1/4	SUCSP206-20/F	SUC206-20/F	21.8 4901	12.30 2765	47.6 1 7/8	167 6 1/8	39.0 1 17/32	38 1 1/2	14 9/16	127 5	91 3 1/2	17.5 0.689	42.9 1.689	17 2 1/2	21 13/16	M14 1/2	1.4 3.1				
	1 1/2	SUCSP207-20/F	SUC207-20/F																			
		SUCSP207/F	SUC207/F																			
	1 5/8	SUCSP207-21/F	SUC207-21/F																			
		SUCSP207-22/F	SUC207-22/F																			
	1 7/8	SUCSP207-22/F	SUC207-22/F																			
1 7/8	SUCSP207-23/F	SUC207-23/F																				

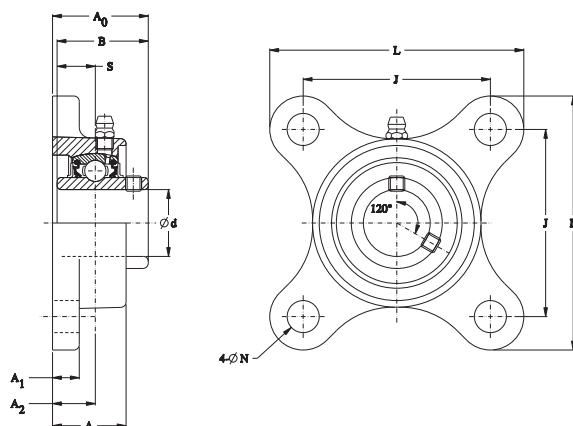
STAINLESS STEEL HOUSED UNIT WITH STAINLESS STEEL INSERTS

STAINLESS STEEL TWO-BOLT PILLOW BLOCK UNITS

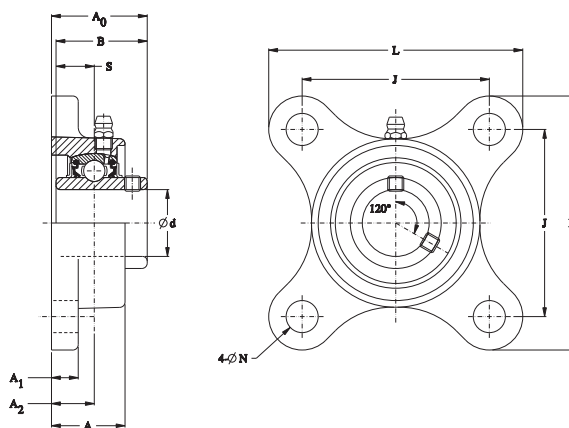


Shaft Dia. d		Pillow Block Designation	Bearing Designation	Basic Load Ratings		Dimensions											Bolt Size	Wt.
				Dynamic C _r	Static C _{0r}	H	L	L ₁	A	H ₁	J	H ₂	S	B	N	N ₁		
mm	in.			kN lbs.	kN lbs.	mm in.	mm in.	mm in.	mm in.	mm in.	mm in.	mm in.	mm in.	mm in.	mm in.	mm in.	mm in.	
40	1 1/2	SUCSP208-24/F	SUC208-24/F	24.8 5575	14.3 3215	49.2 1 15/16	184 7 1/4	43.0 1 11/16	40 1 9/16	14 9/16	137 5 13/32	97 3 13/16	19.0 0.748	49.2 1.937	17 2 1/2	21 1 1/16	M14 1/2	1.7 3.7
	1 5/8	SUCSP208-25/F	SUC208-25/F															
		SUCSP208/F	SUC208/F															
45	1 3/8	SUCSP209-26/F	SUC209-26/F	27.8 6250	16.2 3642	54.0 2 1/8	190 7 1/2	44.0 1 7/8	40 1 9/16	15 1 1/2	146 5 3/4	104 4 1/2	19.0 0.748	49.2 1.937	17 2 1/2	21 1 1/16	M14 1/2	2.0 4.4
	1 7/8	SUCSP209-27/F	SUC209-27/F															
		SUCSP209/F	SUC209/F															
50	1 7/8	SUCSP210-30/F	SUC210-30/F	29.8 6699	18.6 4181	57.2 2 1/4	206 8 1/8	48.0 1 7/8	45 1 7/8	16 5/8	159 6 1/4	111 4 3/8	19.0 0.748	51.6 2.031	20 2 5/8	22 7/8	M16 3/4	2.5 5.5
	1 5/8	SUCSP210-31/F	SUC210-31/F															
	2	SUCSP210-32/F	SUC210-32/F															

STAINLESS STEEL FOUR-BOLT FLANGED UNITS

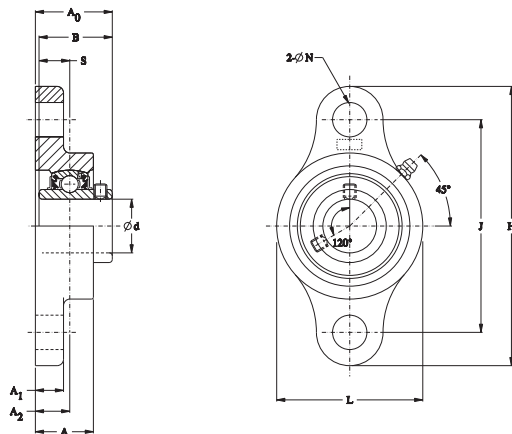


Shaft Dia. d		Four-Bolt Flange Designation	Bearing Designation	Basic Load Ratings		Dimensions									Bolt Size	Wt.													
				Dynamic C _r	Static C _{0r}	L	J	A ₁	A	A ₀	S	B	A ₂	N															
mm	in.			kN lbs.	kN lbs.	mm in.	mm in.	mm in.	mm in.	mm in.	mm in.	mm in.	mm in.	mm in.	mm in.	kg lbs.													
20	3/4	SUCSF-204-12/F	SUC204-12/F	10.9	5.35	86	64	10	26.0	33.3	12.7	31.0	15	12	M10	0.5													
		SUCSF-204/F	SUC204/F	2450	1203	3 3/8	2 33/64	13/32	1 1/2	1 1/16	0.500	1.220	19/32	1 1/2	3/8	1.1													
25	7/8	SUCSF205-14/F	SUC205-14/F	11.9	6.30	95	70	10	27.5	35.8	14.3	34.1	16	12	M10	0.7													
	1 1/4	SUCSF205-15/F	SUC205-15/F														2675	1416	3 3/4	2 3/4	13/32	1 3/2	1 19/32	0.563	1.343	3/8	1 1/2	1.5	
		SUCSF205/F	SUC205/F																										
30	1	SUCSF205-16/F	SUC205-16/F	16.5	9.05	108	83	10	31.0	40.2	15.9	38.1	18	12	M10	1.0													
	1 1/8	SUCSF206-18/F	SUC206-18/F														3709	2035	4 1/4	3 17/64	13/32	1 7/2	1 19/32	0.626	1.500	45/64	1 1/2	2.2	
		SUCSF206/F	SUC206/F																										
35	1 3/16	SUCSF206-19/F	SUC206-19/F	21.8	12.30	117	92	11	34.0	44.4	17.5	42.9	19	14	M12	1.3													
	1 1/4	SUCSF206-20/F	SUC206-20/F														4901	2765	4 19/32	3 5/8	7/16	1 11/2	1 3/4	0.689	1.689	3/4	35/64	7/16	2.9
		SUCSF207-20/F	SUC207-20/F																										
	1 5/16	SUCSF207-21/F	SUC207-21/F																										
	1 3/8	SUCSF207-22/F	SUC207-22/F																										
	1 7/16	SUCSF207-23/F	SUC207-23/F																										



Shaft Dia. d		Four-Bolt Flange Designation	Bearing Designation	Basic Load Ratings		Dimensions									Bolt Size	Wt.		
				Dynamic	Static	L	J	A ₁	A	A ₀	S	B	A ₂	N				
				C _r	C _{0r}	mm in.	mm in.	mm in.	mm in.	mm in.	mm in.	mm in.	mm in.	mm in.			mm in.	
40	1 1/2	SUCSF208-24/F	SUC208-24/F	24.8 5575	14.30 3215	130 5 1/8	102 4 1/4	12 1 1/2	36.0 1 13/32	51.2 2 1/2	19.0 0.748	49.2 1.937	21 5/8	16 5/8	M14 1/2	1.6 3.5		
	1 11/16	SUCSF208-25/F	SUC208-25/F														SUCSF208/F	SUC208/F
45	1 3/8	SUCSF209-26/F	SUC209-26/F	27.8 6250	16.20 3642	137 5 13/32	105 4 3/4	13 1/2	38.0 1 1/2	52.2 2 1/16	19.0 0.748	49.2 1.937	22 5/8	16 5/8	M14 1/2	1.9 4.2		
	1 11/16	SUCSF209-27/F	SUC209-27/F														SUCSF209/F	SUC209/F
	1 3/4	SUCSF209-28/F	SUC209-28/F															
50	1 7/8	SUCSF210-30/F	SUC210-30/F	29.8 6699	18.60 4181	143 5 5/8	111 4 3/8	13 1/2	40.0 1 1/16	54.6 2 1/2	19.0 0.748	51.6 2.031	22 5/8	16 5/8	M14 1/2	2.2 4.9		
	1 15/16	SUCSF210-31/F	SUC210-31/F														SUCSF210/F	SUC210/F
	2	SUCSF210-32/F	SUC210-32/F															

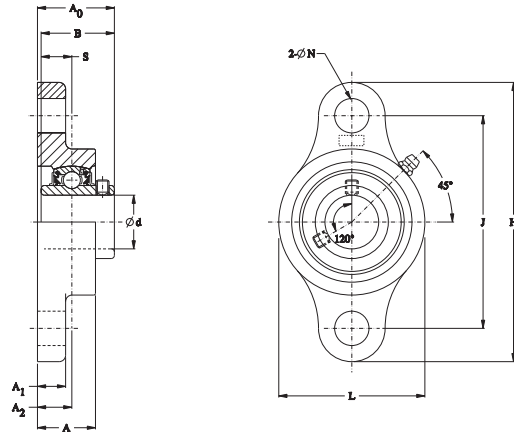
STAINLESS STEEL TWO-BOLT FLANGED UNITS



Shaft Dia. d		Two-Bolt Flange Designation	Bearing Designation	Basic Load Ratings		Dimensions										Bolt Size	Wt.														
				Dynamic	Static	H	J	A ₁	A	A ₀	L	A ₂	S	B	N																
				C _r	C _{0r}	mm in.	mm in.	mm in.	mm in.	mm in.	mm in.	mm in.	mm in.	mm in.	mm in.			mm in.													
20	¾	SUCSFL204-12/F	SUC204-12/F	10.9	5.35	113	90	10	26.0	33.3	60	15	12.7	31.0	12	M10	0.5														
		SUCSFL204/F	SUC204/F	2450	1203	4 7/16	3 3/64	13/32	1 1/2	1 1/16	2 3/8	19/32	0.500	1.220	1 1/2	3/8	1.1														
25	7/8	SUCSFL205-14/F	SUC205-14/F	11.9	6.30	130	99	10	27.5	35.8	68	16	14.3	34.1	16	M14	0.6														
	1 1/16	SUCSFL205-15/F	SUC205-15/F															2675	1416	5 1/8	3 3/64	13/32	1 3/2	1 13/32	2 11/16	5/8	0.563	1.343	5/8	1/2	1.3
	1	SUCSFL205-16/F	SUC205-16/F																												
30	1 1/8	SUCSFL206-18/F	SUC206-18/F	16.5	9.05	148	117	10	31.0	40.2	80	18	15.9	38.1	16	M14	0.9														
	1 3/16	SUCSFL206-19/F	SUC206-19/F															3709	2035	5 13/16	4 19/32	13/32	1 3/2	1 19/32	3 1/2	49/64	0.626	1.500	5/8	1/2	2.0
	1 1/4	SUCSFL206-20/F	SUC206-20/F																												
35	1 1/4	SUCSFL207-20/F	SUC207-20/F	21.8	12.30	161	130	11	34.0	44.4	85	19	17.5	42.9	16	M14	1.1														
	1 3/16	SUCSFL207-21/F	SUC207-21/F															4901	2765	6 11/32	5 1/8	7/16	1 11/2	1 3/4	3 11/32	3/4	0.689	1.689	5/8	1/2	2.4
	1 3/8	SUCSFL207-22/F	SUC207-22/F																												
	1 7/16	SUCSFL207-23/F	SUC207-23/F																												

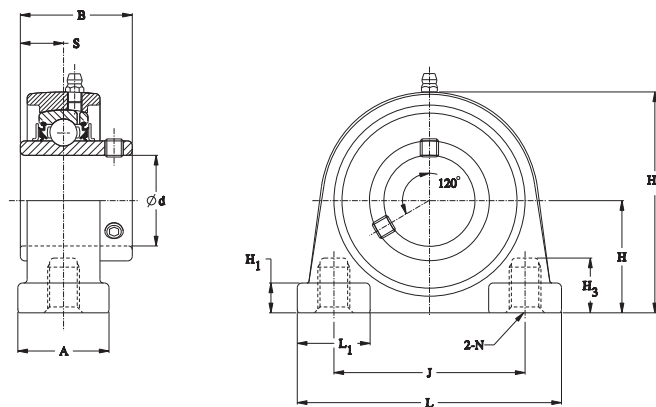
STAINLESS STEEL HOUSED UNIT WITH STAINLESS STEEL INSERTS

STAINLESS STEEL TWO-BOLT FLANGED UNITS

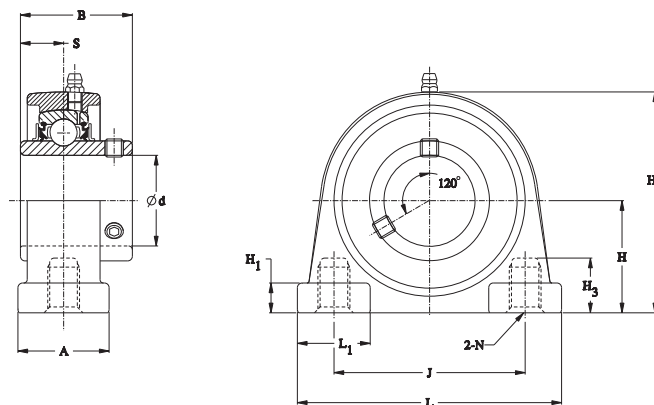


Shaft Dia. d		Two-Bolt Flange Designation	Bearing Designation	Basic Load Ratings		Dimensions										Bolt Size	Wt.
				Dynamic	Static	H	J	A ₁	A	A ₀	L	A ₂	S	B	N		
				C _r	C _{0r}	mm in.	mm in.	mm in.	mm in.	mm in.	mm in.	mm in.	mm in.	mm in.	mm in.		
40	1 1/2	SUCSFL208-24/F	SUC208-24/F	24.8 5575	14.30 3215	175 6 7/8	144 5 3/4	12 1 1/2	36.0 1 1/2	51.2 2 1/2	94 3 1/4	21 5/8	19.0 0.748	49.2 1.937	16 5/8	M14 1/2	1.4 3.1
	1 5/8	SUCSFL208-25/F	SUC208-25/F														
		SUCSFL208/F	SUC208/F														
45	1 3/8	SUCSFL209-26/F	SUC209-26/F	27.8 6250	16.20 3642	188 7 1/2	148 5 3/4	13 1/2	38.0 1 1/2	52.2 2 1/4	100 3 1/4	22 5/8	19.0 0.748	49.2 1.937	19 3/4	M16 5/8	1.6 3.5
	1 1/2	SUCSFL209-27/F	SUC209-27/F														
	1 3/4	SUCSFL209-28/F	SUC209-28/F														
		SUCSFL209/F	SUC209/F														
50	1 7/8	SUCSFL210-30/F	SUC210-30/F	29.8 6699	18.60 4181	197 7 3/4	157 6 1/4	13 1/2	40.0 1 1/4	54.6 2 1/2	106 4 1/4	22 5/8	19.0 0.748	51.6 2.031	19 3/4	M16 5/8	1.9 4.2
	1 5/8	SUCSFL210-31/F	SUC210-31/F														
	2	SUCSFL210-32/F	SUC210-32/F														

STAINLESS STEEL TAPPED-BASE UNITS

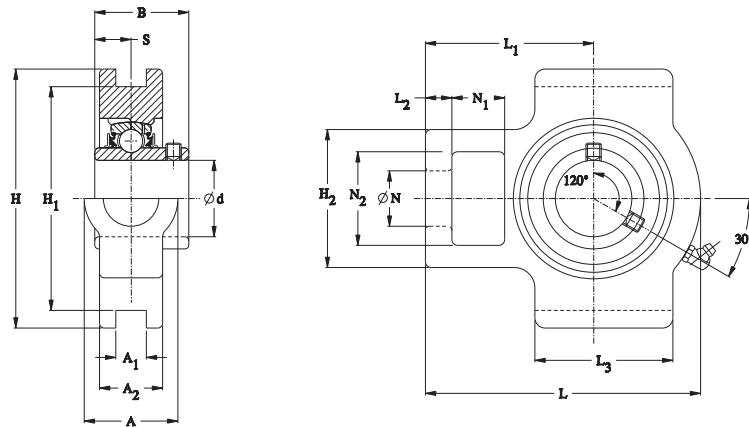


Shaft Dia. d		Tapped Base Pillow Block Designation	Bearing Designation	Basic Load Ratings		Dimensions											Wt.															
				Dynamic C _r	Static C _{0r}	H	L	A	J	N	H ₁	H ₂	H ₃	L ₁	B	S																
mm	in.				mm in.	mm in.	mm in.	mm in.	mm in.	mm in.	mm in.	mm in.	mm in.	mm in.	mm in.	mm in.	kg lbs.															
20	3/4	SUCSTB204-12/F	SUC204-12/F	10.9	5.35	30.2	76	30	52	M10	10	60	18	22	31.0	12.7	0.5															
		SUCSTB204/F	SUC204/F	2450	1203	1 3/16	3	1 3/16	2 3/64	1.5	13/32	2 3/8	4/64	7/8	1.220	0.500	1.1															
25	7/8	SUCSTB205-14/F	SUC205-14/F	11.9	6.30	36.5	84	30	56	M10	12	69	18	24	34.1	14.3	0.6															
	1 1/4	SUCSTB205-15/F	SUC205-15/F															2675	1416	1 7/16	3 3/16	1 3/16	2 13/64	1.5	1 1/2	2 23/32	4/64	1 1/16	1.343	0.563	1.3	
		SUCSTB205/F	SUC205/F																													
30	1	SUCSTB205-16/F	SUC205-16/F	16.5	9.05	42.9	94	36	66	M14	12	81	24	28	38.1	15.9	0.9															
	1 1/8	SUCSTB206-18/F	SUC206-18/F															3709	2035	1 11/16	3 11/16	1 13/32	2 19/32	2.0	1 1/2	3 3/16	1 1/16	1 3/32	1.500	0.626	2.0	
		SUCSTB206/F	SUC206/F																													
35	1 1/4	SUCSTB206-20/F	SUC206-20/F	21.8	12.30	47.6	110	38	80	M14	13	91	27	30	42.9	17.5	1.3															
	1 1/2	SUCSTB207-20/F	SUC207-20/F															4901	2765	1 7/8	4 11/32	1 1/2	3 3/32	2.0	1 1/2	3 19/32	1 1/16	1 3/16	1.689	0.689	2.9	
	1 3/4	SUCSTB207-21/F	SUC207-21/F																													
	1 7/8	SUCSTB207-22/F	SUC207-22/F																													
		SUCSTB207/F	SUC207/F																													
	1 7/8	SUCSTB207-23/F	SUC207-23/F																													

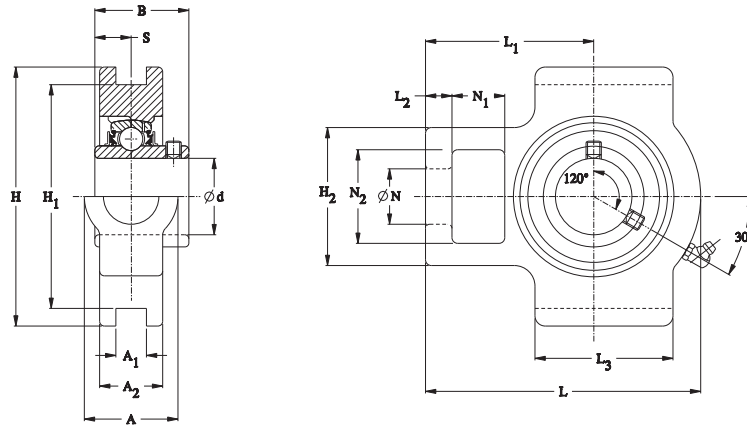


Shaft Dia. d		Tapped Base Pillow Block Designation	Bearing Designation	Basic Load Ratings		Dimensions											Wt.
				Dynamic	Static	H	L	A	J	N	H ₁	H ₂	H ₃	L ₁	B	S	
				C _r	C _{0r}	mm	mm	mm	mm	mm	mm	mm	mm	mm	mm	mm	
40	1 1/2	SUCSTB208-24/F	SUC208-24/F	24.8 5575	14.30 3215	49.2 1 15/16	116 4 9/16	40 1 9/16	84 3 5/16	M14 2.0	13 1/2	97 3 13/16	27 1 1/16	32 1 1/4	49.2 1.937	19.0 0.748	1.6 3.5
	1 5/8	SUCSTB208-25/F	SUC208-25/F														
		SUCSTB208/F	SUC208/F														
45	1 3/8	SUCSTB209-26/F	SUC209-26/F	27.8 6250	16.20 3642	54.2 2 1/8	120 4 73/32	40 1 9/16	90 3 35/64	M14 2.0	13 1/2	104 4 3/32	31 1 7/32	32 1 1/4	49.2 1.937	19.0 0.748	1.8 4.0
	1 7/8	SUCSTB209-27/F	SUC209-27/F														
		SUCSTB209/F	SUC209/F														
50	1 7/8	SUCSTB210-30/F	SUC210-30/F	29.8 6699	18.60 4181	57.2 2 1/4	130 5 1/8	45 1 25/32	94 3 45/64	M16 2.0	14 9/16	111 4 3/8	31 1 7/32	36 1 27/64	51.6 2.031	19.0 0.748	2.3 5.1
	1 5/4	SUCSTB210-31/F	SUC210-31/F														
	2	SUCSTB210-32/F	SUC210-32/F														

STAINLESS STEEL TAKE-UP UNITS



Shaft Dia. d		Take-Up Unit Designation	Bearing Designation	Basic Load Ratings		Dimensions															Wt.																				
				Dynamic C _r	Static C _{0r}	H	H ₁	L ₂	L ₁	A ₂	A	N	L	H ₂	S	B	L ₃	N ₁	N ₂	A ₁																					
mm	in.				mm	mm	mm	mm	mm	mm	mm	mm	mm	mm	mm	mm	mm	mm	mm	mm	mm	kg	lbs.																		
20	¾	SUCST204-12/F	SUC204-12/F	10.9	5.4	89	76	9	59	23	32	19	89	46	12.7	31.0	44	18	32	12	0.7																				
		SUCST204/F	SUC204/F	2450	1203	3 ½	2 9/64	1 ½	2 3/16	2 9/32	1 ¼	¾	3 ½	1 13/16	0.500	1.220	1 23/32	23/32	1 ¼	1 5/32	1.5																				
25	7/8	SUCST205-14/F	SUC205-14/F	11.9	6.3	89	76	9	60	25	32	19	93	46	14.3	34.1	44	18	32	12	0.8																				
	1 5/16	SUCST205-15/F	SUC205-15/F																			2675	1416	3 ½	2 9/64	1 ½	2 3/8	3 1/32	1 ¼	¾	3 21/32	1 13/16	0.563	1.343	1 23/32	23/32	1 ¼	1 5/32	1.8		
	1	SUCST205-16/F	SUC205-16/F																																						
30	1 1/8	SUCST206-18/F	SUC206-18/F	16.5	9.1	102	89	9	67	27	37	22	106	52	15.9	38.1	50	18	37	12	1.1																				
	1 3/8	SUCST206-19/F	SUC206-19/F																			3709	2035	4 1/2	3 ½	1 ½	2 3/8	1 1/8	1 15/32	7/8	4 3/16	2 1/16	0.626	1.500	1 31/32	23/32	1 15/32	1 5/32	2.4		
	1 ¼	SUCST206-20/F	SUC206-20/F																																						
35	1 ¼	SUCST207-20/F	SUC207-20/F	21.8	12.3	102	89	11	75	31	37	22	119	56	17.5	42.9	56	18	37	12	1.5																				
	1 5/8	SUCST207-21/F	SUC207-21/F																			4901	2765	4 ½	3 ½	7/8	2 15/16	1 7/8	1 15/32	7/8	4 11/16	2 7/32	0.689	1.689	2 7/32	23/32	1 15/32	1 5/32	3.3		
	1 3/8	SUCST207-22/F	SUC207-22/F																																						
	1 5/8	SUCST207-21/F	SUC207-21/F																																						
	1 7/8	SUCST207-23/F	SUC207-23/F																																						



Shaft Dia. d		Take-Up Unit Designation	Bearing Designation	Basic Load Ratings		Dimensions															Wt.	
				Dynamic	Static	H	H ₁	L ₂	L ₁	A ₂	A	N	L	H ₂	S	B	L ₃	N ₁	N ₂	A ₁		
				C _r	C _{0r}	mm	mm	mm	mm	mm	mm	mm	mm	mm	mm	mm	mm	mm	mm	mm		mm
mm	in.			kN	kN	mm	mm	mm	mm	mm	mm	mm	mm	mm	mm	mm	mm	mm	mm	mm	mm	kg
	1 ½	SUCST208-24/F	SUC208-24/F	24.8	14.3	114	102	14	85	32	49	29	135	74	19.0	49.2	64	20	49	16	2.0	
	1 ⅝	SUCST208-25/F	SUC208-25	5575	3215	4 ½	4 ½	⅞	3 ½	1 ¼	1 ⅝	1 ½	5 ⅝	2 ⅞	0.748	1.937	2 ⅞	⅝	1 ⅝	⅝	4.4	
40		SUCST208/F	SUC208/F																			
	1 ⅝	SUCST209-26/F	SUC209-26/F	27.8	16.2	117	102	14	85	34	49	29	137	74	19.0	49.2	66	20	49	16	2.1	
	1 ⅞	SUCST209-27/F	SUC209-27/F	6250	3642	4 ⅞	4 ½	⅞	3 ½	1 ½	1 ⅝	1 ½	5 ⅞	2 ⅞	0.748	1.937	2 ⅞	⅝	1 ⅝	⅝	4.6	
45		SUCST209/F	SUC209/F																			
	1 ⅞	SUCST210-30/F	SUC210-30/F	29.8	18.6	117	102	14	87	35	49	29	143	74	19.0	51.6	72	20	49	16	2.3	
	1 ⅞	SUCST210-31/F	SUC210-31/F	6699	4181	4 ⅞	4 ½	⅞	3 ⅞	1 ⅝	1 ⅝	1 ½	5 ⅞	2 ⅞	0.748	2.031	2 ⅞	⅝	1 ⅝	⅝	5.1	
50		SUCST210/F	SUC210/F																			
	2	SUCST210-32/F	SUC210-32/F																			

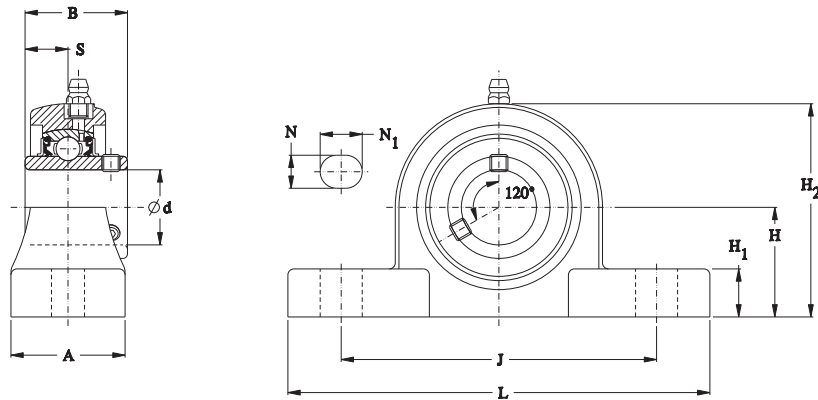


***POLYMER (THERMOPLASTIC)
HOUSED UNITS WITH
STAINLESS STEEL INSERTS***

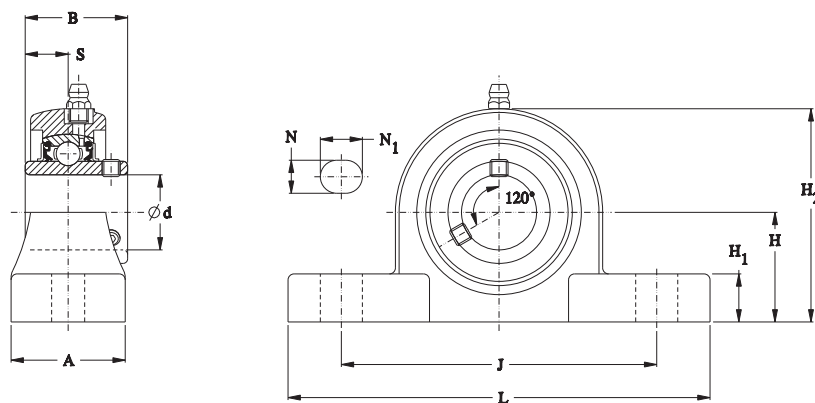
The following topics are covered within this section:

Polymer Two-Bolt Pillow Block Units	30
Polymer Four-Bolt Flanged Units	32
Polymer Two-Bolt Flanged Units	34
Polymer Three-Bolt Flanged Units	36

POLYMER TWO-BOLT PILLOW BLOCK UNITS

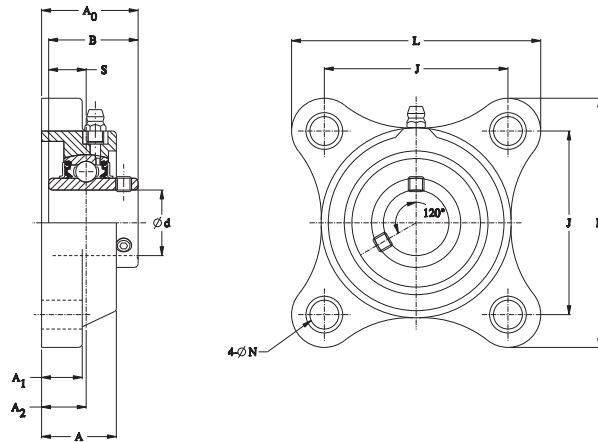


Shaft Dia. d		Pillow Block Designation	Bearing Designation	Basic Load Ratings		Dimensions										Bolt Size	Wt.															
				Dynamic C _r	Static C _{0r}	H	L	A	H ₁	J	H ₂	S	B	N	N ₁																	
mm	in.			kN lbs.	kN lbs.	mm in.	mm in.	mm in.	mm in.	mm in.	mm in.	mm in.	mm in.	mm in.	mm in.	mm in.	mm in.	kg lbs.														
20	3/4	SUCPLP204-12/F	SUC204-12/F	10.9	5.35	33.3	127.0	38	14.2	95	65.5	12.7	31.0	11	14	M8	0.3															
		SUCPLP204/F	SUC204/F	2450	1203	1 3/16	5	1 1/2	9/16	3 3/4	2 19/32	0.500	1.220	7/16	9/16	5/16	0.7															
25	7/8	SUCPLP205-14/F	SUC205-14/F	11.9	6.30	36.5	140.5	38	16.0	105	71.0	14.3	34.1	11	14	M8	0.4															
	1 1/16	SUCPLP205-15/F	SUC205-15/F															2675	1416	1 1/16	5 17/32	1 1/2	5/8	4 1/8	2 29/32	0.563	1.343	7/16	9/16	5/16	0.9	
	1	SUCPLP205-16/F	SUC205-16/F																													
30	1 1/8	SUCPLP206-18/F	SUC206-18/F	16.5	9.05	42.9	163.0	46	17.8	119	84.0	15.9	38.1	14	18	M12	0.6															
	1 3/16	SUCPLP206-19/F	SUC206-19/F															3709	2035	1 11/16	6 13/32	1 13/16	1 1/16	4 11/16	3 3/16	0.626	1.500	9/16	23/32	1/2	1.3	
	1 1/4	SUCPLP206-20/F	SUC206-20/F																													
35	1 1/4	SUCPLP207-20/F	SUC207-20/F	21.8	12.30	47.6	168.0	48	18.0	127	94.5	17.5	42.9	14	18	M12	0.8															
	1 3/16	SUCPLP207-21/F	SUC207-21/F															4901	2765	1 7/8	6 5/8	1 7/8	23/32	5	3 23/32	0.689	1.689	9/16	23/32	1/2	1.8	
	1 3/8	SUCPLP207-22/F	SUC207-22/F																													
	1 7/16	SUCPLP207-23/F	SUC207-23/F																													

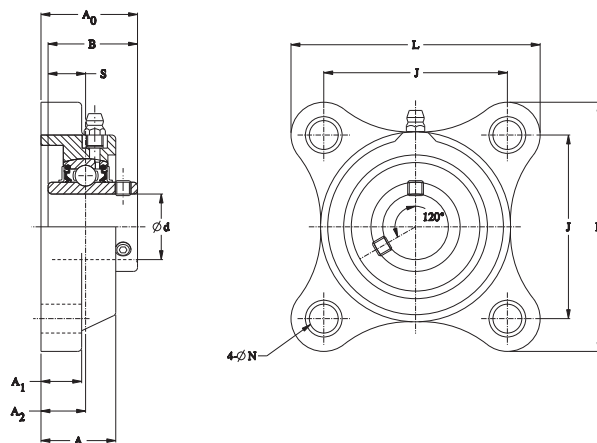


Shaft Dia. d		Pillow Block Designation	Bearing Designation	Basic Load Ratings		Dimensions										Bolt Size	Wt.						
				Dynamic C _r	Static C _{0r}	H	L	A	H ₁	J	H ₂	S	B	N	N ₁								
mm	in.			kN lbs.	kN lbs.	mm in.	mm in.	mm in.	mm in.	mm in.	mm in.	mm in.	mm in.	mm in.	mm in.	mm in.	mm in.	mm in.	mm in.	mm in.	mm in.	mm in.	kg lbs.
40	1 1/2	SUCPLP208-24/F	SUC208-24/F	24.8 5575	14.30 3215	49.2 1 15/16	184.0 7 1/4	54 2 1/8	19.5 3/4	137 5 13/32	101.0 3 31/32	19.0 0.748	49.2 1.937	14 9/16	18 3/4	M12 1/2	1.0 2.2						
	1 5/8	SUCPLP208-25/F	SUC208-25/F																				
		SUCPLP208/F	SUC208/F																				
45	1 3/8	SUCPLP209-26/F	SUC209-26/F	27.8 6250	16.20 3642	54.0 2 1/8	192.0 7 5/16	54 2 1/8	23.0 3/4	146 5 3/4	106.0 4 1/16	19.0 0.748	49.2 1.937	17 5/8	20 3/4	M14 5/8	1.1 2.4						
	1 7/8	SUCPLP209-27/F	SUC209-27/F																				
		SUCPLP209/F	SUC209/F																				
50	1 7/8	SUCPLP210-30/F	SUC210-30/F	29.8 6699	18.60 4181	57.2 2 1/4	206.0 8 1/8	60 2 3/8	23.0 3/4	159 6 1/4	114.0 4 1/2	19.0 0.748	51.6 2.036	17 5/8	20 3/4	M14 5/8	1.3 1.3						
	1 5/8	SUCPLP210-31/F	SUC210-31/F																				
	2	SUCPLP210-32/F	SUC210-32/F																				

POLYMER FOUR-BOLT FLANGED UNITS

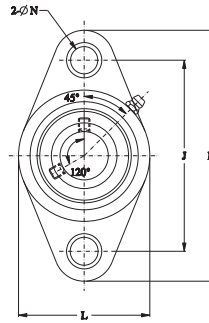
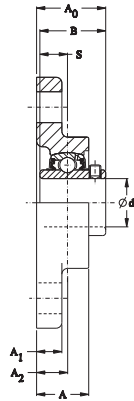


Shaft Dia. d		Four-Bolt Flange Designation	Bearing Designation	Basic Load Ratings		Dimensions									Bolt Size	Wt.													
				Dynamic C _r	Static C _{0r}	L	J	A ₁	A	A ₀	S	B	A ₂	N															
mm	in.			kN lbs	kN lbs	mm in.	mm in.	mm in.	mm in.	mm in.	mm in.	mm in.	mm in.	mm in.	mm in.	kg lbs													
20	3/4	SUCPLF204-12/F	SUC204-12/F	10.9	5.35	86	63.5	13.4	28.5	36.3	12.7	31.0	18.0	11	M8	0.3													
		SUCPLF204/F	SUC204/F	2450	1203	3 3/8	2 1/2	1 1/32	1 1/8	1 7/16	0.500	1.220	4/64	7/16	5/16	0.7													
25	7/8	SUCPLF205-14/F	SUC205-14/F	11.9	6.30	95	70.0	15.5	29.2	36.8	14.3	34.1	17.0	11	M8	0.4													
	1 1/16	SUCPLF205-15/F	SUC205-15/F														2675	1416	3 3/8	2 3/4	5/8	1 1/2	1 7/16	0.563	1.343	4/64	7/16	5/16	0.9
		SUCPLF205/F	SUC205/F																										
30	1	SUCPLF205-16/F	SUC205-16/F	16.5	9.05	107	83.0	14.5	32.2	41.4	15.9	38.1	19.2	11	M8	0.5													
	1 1/8	SUCPLF206-18/F	SUC206-18/F														3709	2035	4 7/32	3 17/64	9/16	1 17/64	1 3/8	0.626	1.500	3/4	7/16	5/16	1.1
	1 3/16	SUCPLF206-19/F	SUC206-19/F																										
	1 1/4	SUCPLF206-20/F	SUC206-20/F																										
35	1 1/4	SUCPLF207-20/F	SUC207-20/F	21.8	12.30	118	92.0	15.5	35.2	46.9	17.5	42.9	21.5	13	M10	0.7													
	1 3/8	SUCPLF207-21/F	SUC207-21/F														4901	2765	4 21/32	3 5/8	5/8	1 25/64	1 27/32	0.689	1.689	27/32	33/64	3/8	1.5
	1 3/8	SUCPLF207-22/F	SUC207-22/F																										
		SUCPLF207/F	SUC207/F																										
	1 7/16	SUCPLF207-23/F	SUC207-23/F																										

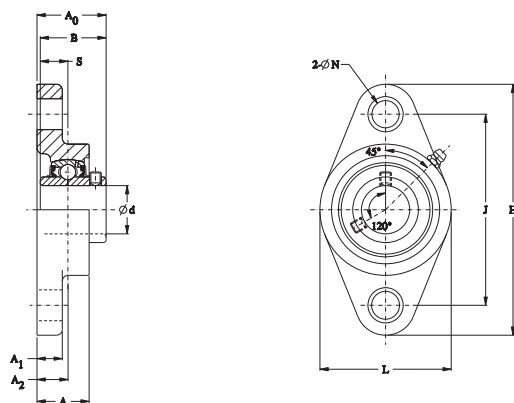


Shaft Dia. d		Four-Bolt Flange Designation	Bearing Designation	Basic Load Ratings		Dimensions									Bolt Size	Wt.	
				Dynamic	Static	L	J	A ₁	A	A ₀	S	B	A ₂	N			
				C _r	C _{0r}	mm	mm	mm	mm	mm	mm	mm	mm	mm			mm
mm	in.			kN	kN	mm	mm	mm	mm	mm	mm	mm	mm	mm	mm	kg	lbs
	1 1/2	SUCPLF208-24/F	SUC208-24/F	24.8	14.30	130	102.0	17.0	37.2	53.2	19.0	49.2	23.0	14	M12	0.9	2.0
	1 5/8	SUCPLF208-25/F	SUC208-25/F														
40		SUCPLF208/F	SUC208/F														
	1 3/8	SUCPLF209-26/F	SUC209-26/F	27.8	16.20	137	105.0	19.0	41.0	54.2	19.0	49.2	24.0	17	M14	1.1	2.4
	1 1/2	SUCPLF209-27/F	SUC209-27/F														
	1 3/4	SUCPLF209-28/F	SUC209-28/F														
45		SUCPLF209/F	SUC209/F														
	1 7/8	SUCPLF210-30/F	SUC210-30/F	29.8	18.60	143	111.0	21.0	43.0	57.6	19.0	51.6	25.0	17	M14	1.3	2.9
	1 5/8	SUCPLF210-31/F	SUC210-31/F														
50		SUCPLF210/F	SUC210/F														
	2	SUCPLF210-32/F	SUC210-32/F														

**POLYMER TWO-BOLT
FLANGED UNITS**

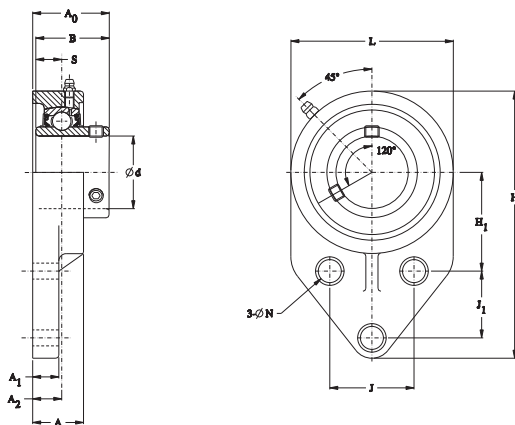


Shaft Dia. d		Two-Bolt Flange Designation	Bearing Designation	Basic Load Ratings		Dimensions										Bolt Size	Wt.															
				Dynamic C _r	Static C _{0r}	H	J	A ₁	A	A ₀	L	A ₂	S	B	N																	
mm	in.			kN lbs.	kN lbs.	mm in.	mm in.	mm in.	mm in.	mm in.	mm in.	mm in.	mm in.	mm in.	mm in.	mm in.	mm in.	kg lbs.														
20	¾	SUCPLFL204-12/F	SUC204-12/F	10.9	5.35	113	90.0	13.4	27.0	33.3	65	15	12.7	31.0	11	M8	0.3															
		SUCPLFL204/F	SUC204/F	2450	1203	4 7/16	3 35/64	17/32	1 1/16	1 3/16	2 5/16	1 9/32	0.500	1.220	7/16	5/16	0.7															
25	7/8	SUCPLFL205-14/F	SUC205-14/F	11.9	6.30	131	99.0	13.8	28.2	35.8	70	16	14.3	34.1	11	M8	0.3															
	1 1/16	SUCPLFL205-15/F	SUC205-15/F															2675	1416	5 5/32	3 57/64	17/32	1 7/64	1 13/32	2 3/4	5/8	0.563	1.343	7/16	5/16	0.7	
		SUCPLFL205/F	SUC205/F																													
30	1	SUCPLFL205-16/F	SUC205-16/F	16.5	9.05	148	117.0	14.3	31.0	40.2	80	18	15.9	38.1	11	M8	0.5															
	1 1/8	SUCPLFL206-18/F	SUC206-18/F															3709	2035	5 13/16	4 39/64	9/16	1 7/32	1 19/32	3 3/32	4 5/64	0.626	1.500	7/16	5/16	1.1	
		SUCPLFL206/F	SUC206/F																													
35	1 1/4	SUCPLFL206-20/F	SUC206-20/F	21.8	12.30	164	130.0	15.5	32.7	44.4	90	19	17.5	42.9	13	M10	0.7															
	1 3/8	SUCPLFL207-20/F	SUC207-20/F															4901	2765	6 15/32	5 1/8	5/8	1 9/32	1 3/4	3 17/32	3/4	0.689	1.689	33/64	3/8	1.5	
		SUCPLFL207/F	SUC207/F																													
	1 1/2	SUCPLFL207-21/F	SUC207-21/F																													
	1 5/8	SUCPLFL207-22/F	SUC207-22/F																													
	1 7/8	SUCPLFL207-23/F	SUC207-23/F																													



Shaft Dia. d		Two-Bolt Flange Designation	Bearing Designation	Basic Load Ratings		Dimensions										Bolt Size	Wt.	
				Dynamic C _r	Static C _{0r}	H	J	A ₁	A	A ₀	L	A ₂	S	B	N			
mm	in.			kN lbs.	kN lbs.	mm in.	mm in.	mm in.	mm in.	mm in.	mm in.	mm in.	mm in.	mm in.	mm in.	mm in.	mm in.	kg lbs.
40	1 1/2	SUCPLFL208-24/F	SUC208-24/F	24.8 5575	14.30 3215	176 6 15/16	144.0 5 43/64	16.5 2 1/2	35.2 1 25/64	51.2 2 1/2	100 3 15/16	21 53/64	19.0 0.748	49.2 1.937	14 35/64	M12 1/2	0.9 2.0	
	1 5/8	SUCPLFL208-25/F	SUC208-25/F															
		SUCPLFL208/F	SUC208/F															
45	1 3/8	SUCPLFL209-26/F	SUC209-26/F	27.8 6250	16.20 3642	189 7 7/16	148.5 5 27/32	21.0 53/64	41.0 1 39/64	54.2 2 9/64	108 4 1/4	24 61/64	19.0 0.748	49.2 1.937	17 43/64	M14 5/8	1.0 2.2	
	1 1/2	SUCPLFL209-27/F	SUC209-27/F															
	1 3/4	SUCPLFL209-28/F	SUC209-28/F															
		SUCPLFL209/F	SUC209/F															
50	1 7/8	SUCPLFL210-30/F	SUC210-30/F	29.8 6699	18.60 4181	197 7 3/4	157.0 6 3/16	21.0 53/64	43.0 1 11/16	57.6 2 17/64	115 4 17/32	25 63/64	19.0 0.748	51.6 2.031	17 43/64	M14 5/8	1.2 2.6	
	1 5/8	SUCPLFL210-31/F	SUC210-31/F															
	2	SUCPLFL210-32/F	SUC210-32/F															

POLYMER THREE-BOLT FLANGED UNITS



Shaft Dia. d		Three-Bolt Flange Designation	Bearing Designation	Basic Load Ratings		Dimensions											Bolt Size	Wt.																		
				Dynamic	Static	H	H ₁	J ₁	J	L	A	A ₂	A ₀	A ₁	S	B			N																	
				C _r	C _{0r}	mm in.	mm in.	mm in.	mm in.	mm in.	mm in.	mm in.	mm in.	mm in.	mm in.	mm in.			mm in.	mm in.	mm in.															
20	3/4	SUCPLFB204-12/F	SUC204-12/F	10.9	5.35	108.0	42.9	22.2	38.1	63.5	26.1	15.4	33.7	11.4	12.7	31.0	11	M8	0.3																	
		SUCPLFB204/F	SUC204/F	2450	1203	4 1/4	1 11/16	7/8	1 1/2	2 1/2	1 1/2	39/64	1 1/16	7/16	0.500	1.220	7/16	5/16	0.7																	
25	7/8	SUCPLFB205-14/F	SUC205-14/F	11.9	6.30	121.0	46.0	28.6	41.3	70.0	34.1	21.5	41.3	11.4	14.3	34.1	11	M8	0.3																	
	1 1/16	SUCPLFB205-15/F	SUC205-15/F																	2675	1416	4 3/4	1 13/16	1 1/8	1 1/8	2 3/4	1 11/32	27/32	1 1/8	7/16	0.563	1.343	7/16	5/16	0.7	
		SUCPLFB205-16/F	SUC205-16/F																																	
30	1 1/8	SUCPLFB206-18/F	SUC206-18/F	16.5	9.05	138.5	52.4	31.8	47.6	83.0	32.3	19.3	41.5	13.3	15.9	38.1	11	M8	0.5																	
		SUCPLFB206-19/F	SUC206-19/F																	3709	2035	5 29/64	2 1/16	1 1/4	1 7/8	3 1/4	1 9/32	49/64	1 1/8	17/32	0.626	1.500	7/16	5/16	1.1	
	1 1/4	SUCPLFB206-20/F	SUC206-20/F																																	
35	1 1/4	SUCPLFB207-20/F	SUC207-20/F	21.8	12.30	157.0	60.3	31.8	50.8	95.0	36.5	21.7	47.1	16.0	17.5	42.9	13	M10	0.8																	
	1 1/16	SUCPLFB207-21/F	SUC207-21/F																	4901	2765	6 3/16	2 3/8	1 1/4	2	3 3/4	1 7/16	27/32	1 27/32	5/8	0.689	1.689	33/64	1/2	1.8	
	1 3/8	SUCPLFB207-22/F	SUC207-22/F																																	
	1 7/16	SUCPLFB207-23/F	SUC207-23/F																																	



**STAINLESS STEEL
BALL BEARING INSERTS**

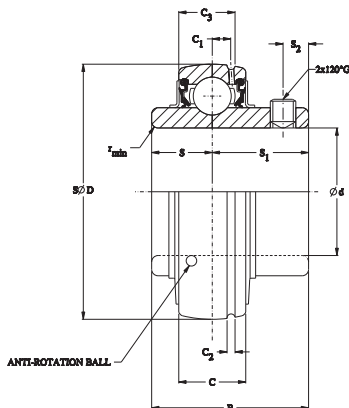
The following topics are covered within this section:

Stainless Steel Set Screw Locking Ball Bearing Inserts 38

STAINLESS STEEL SET SCREW LOCKING BALL BEARING INSERTS

- The set screw mounting feature is ideal for reversing load applications.
- All bearing components are made of stainless steel (races, balls, cage, flingers), providing superior corrosion-resistance and full metal detectability.
- Bearing prelubricated with NSF H1 grease and ready for immediate installation.
- An external stainless steel flinger provides the first level of protection against contamination.
- The three element sealing offers additional levels of protection with the flinger contact interface and land riding seals, in addition to the inward facing seal lip to keep grease in.

Shaft Dia. d		Bearing Designation	Basic Load Ratings		Dimensions							Min. Fillet Radius r (min.)	Set Screw Size G	Wt.
			Dynamic C _r	Static C _{0r}	D	C	B	S ₂	C ₁	S	S ₁			
mm	in.		kN lbs.	kN lbs.	mm in.	mm in.	mm in.	mm in.	mm in.	mm in.	mm in.	mm in.	mm in.	kg lbs.
20	¾	SUC204-12/F	10.9 2450	5.35 1203	47.0 1.850	16.0 0.630	31.0 1.220	5.0 0.197	4.0 0.157	12.7 0.500	18.3 0.720	1.0 0.039	M6 0.75	0.2 0.4
		SUC204/F												0.2 0.4
25	7/8	SUC205-14/F	11.9 2675	6.30 1416	52.0 2.047	17.0 0.669	34.1 1.343	5.5 0.217	4.7 0.185	14.3 0.563	19.8 0.78	1.0 0.039		0.2 0.5
	1 5/16	SUC205-15/F												0.2 0.5
		SUC205/F												0.2 0.4
	1	SUC205-16/F												0.2 0.4
30	1 1/8	SUC206-18/F	16.5 3709	9.05 2035	62.0 2.441	19.0 0.748	38.1 1.500	6.0 0.236	5.0 0.197	15.9 0.626	22.2 0.874	1.0 0.039		0.3 0.7
		SUC206/F												0.3 0.7
	1 3/16	SUC206-19/F												0.3 0.7
	1 ¼	SUC206-20/F												0.3 0.7
35	1 ¼	SUC207-20/F	21.8 4901	12.30 2765	72.0 2.835	20.0 0.787	42.9 1.689	6.5 0.256	5.5 0.217	17.5 0.689	25.4 1.000	1.1 0.043	M8 1.0	0.5 1.1
	1 5/16	SUC207-21/F												0.5 1.1
	1 3/8	SUC207-22/F												0.5 1.1
		SUC207/F												0.5 1.1
	1 7/16	SUC207-23/F												0.4 0.9



Shaft Dia. d		Bearing Designation	Basic Load Ratings		Dimensions							Min. Fillet Radius r (min.)	Set Screw Size G	Wt.
			Dynamic C _r	Static C _{0r}	D	C	B	S ₂	C ₁	S	S ₁			
mm	in.		kN lbs.	kN lbs.	mm in.	mm in.	mm in.	mm in.	mm in.	mm in.	mm in.	mm in.	mm in.	kg lbs.
40	1 1/2	SUC208-24/F	24.8 5575	14.30 3215	80.0 3.150	21.0 0.827	49.2 1.937	8.0 0.315	6.0 0.236	19.0 0.748	30.2 1.189	1.1 0.043	M8 1.0	0.7 1.5
	1 5/16	SUC208-25/F												0.6 1.3
		SUC208/F												0.6 1.3
	1 3/8	SUC209-26/F												0.8 1.8
	1 1/2	SUC209-27/F												27.8 6250
1 3/4	SUC209-28/F	0.7 1.5												
45		SUC209/F	0.7 1.5											
	1 7/8	SUC210-30/F	29.8 6699	18.60 4181	90.0 3.543	24.0 0.945	51.6 2.031	9.0 0.354	6.0 0.236	19.0 0.748	32.6 1.283	1.1 0.043		0.9 2.0
	1 5/8	SUC210-31/F												0.8 1.8
	SUC210/F	0.8 1.8												
50	2	SUC210-32/F	0.8 1.8											



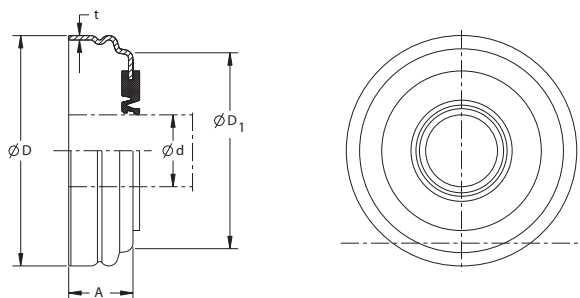
***CORROSION-RESISTANT
HOUSED UNIT END COVERS***

The following topics are covered within this section:

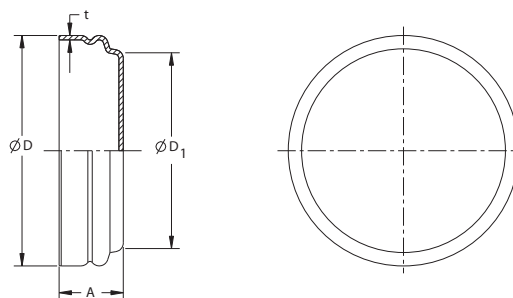
Stainless Steel End Covers..... 42
Polymer End Covers..... 43
End Cover Dimension 44

STAINLESS STEEL END COVERS

OPEN TYPE

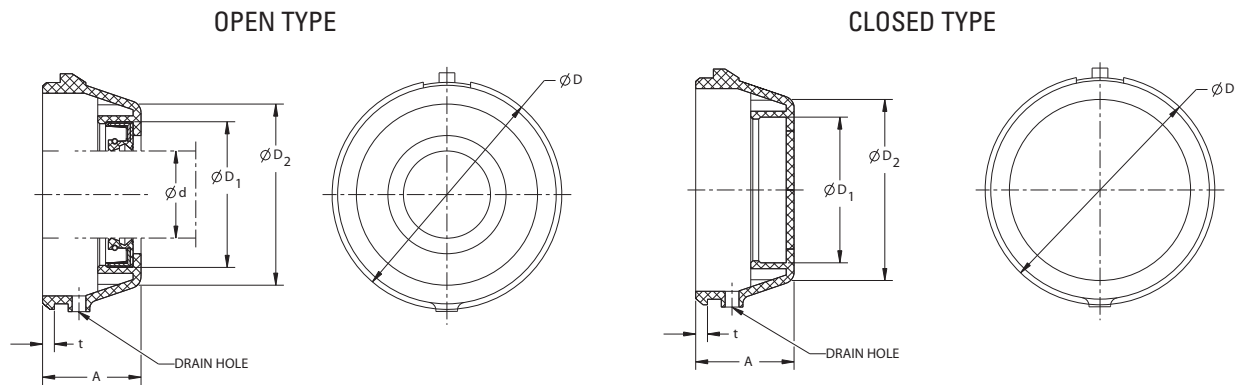


CLOSED TYPE



Shaft Dia. d		Part Number		Dimensions			
		Open	Closed	D	D ₁	A	t
in.	mm			mm in.	mm in.	mm in.	mm in.
3/4		EOS-U204-12	ECS-U204-12	52	45	14.5	1
	20	EOS-U204	ECS-U204	2 3/64	1 49/64	37/64	0.039
	25	EOS-U205	ECS-U205	58	51	15.5	1
1		EOS-U205-16	ECS-U205-16	2 9/32	2 1/64	39/64	0.039
	30	EOS-U206	ECS-U206	68	61	16.5	1
1 3/16		EOS-U206-19	ECS-U206-19	2 43/64	2 13/32	2 1/32	0.039
1 1/4		EOS-U206-20	ECS-U206-20				
1 1/4		EOS-U207-20	ECS-U207-20				
	35	EOS-U207	ECS-U207	78	70	18.5	1
				3 5/64	2 3/4	47/64	0.039
1 7/16		EOS-U207-23	ECS-U207-23				
1 1/2		EOS-U208-24	ECS-U208-24	86	78	22.5	1
	40	EOS-U208	ECS-U208	3 25/64	3 3/64	57/64	0.039
1 11/16		EOS-U209-27	ECS-U209-27	92	84	22	1
	45	EOS-U209	ECS-U209	3 3/8	3 5/16	59/64	0.039
1 15/16		EOS-U210-31	ECS-U210-31				
	50	EOS-U210	ECS-U210	96	88	24	1
				3 25/32	3 15/32	15/16	0.039
2		EOS-U210-32	ECS-U210-32				

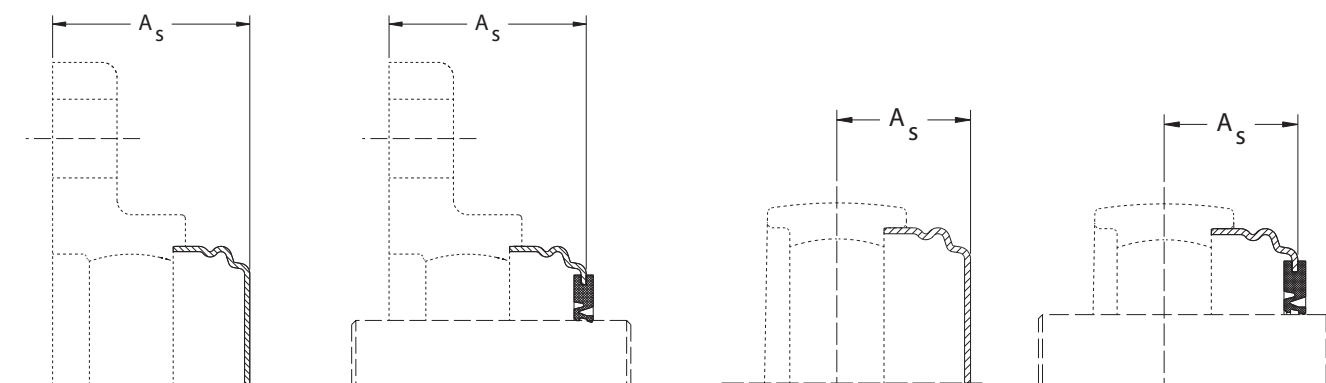
POLYMER END COVERS



Shaft Dia. d		Part Number		Dimensions				
		Open	Closed	D	D ₁	D ₂	A	t
in.	mm			mm in.	mm in.	mm in.	mm in.	mm in.
3/4		EOP-U204-12	ECP-U204-12	52.35	32	41	23	3
	20	EOP-U204	ECP-U204	2 1/16	1 17/64	1 39/64	29/32	0.118
1	25	EOP-U205	ECP-U205	58.35	37	46	25	3
		EOP-U205-16	ECP-U205-16	2 19/64	1 29/64	1 13/16	63/64	0.118
1 1/16	30	EOP-U206	ECP-U206	68.35	42	52	30	3
		EOP-U206-19	ECP-U206-19	2 11/16	1 21/32	2 3/64	1 3/16	0.118
1 1/4		EOP-U206-20	ECP-U206-20					
1 1/4	35	EOP-U207	ECP-U207	78.35	47	62	32	3
		EOP-U207-20	ECP-U207-20	3 5/64	1 27/32	2 7/16	1 17/64	0.118
1 7/16		EOP-U207-23	ECP-U207-23					
1 1/2	40	EOP-U208	ECP-U208	86.35	52	70	37	3
		EOP-U208-24	ECP-U208-24	3 13/32	2 3/64	2 3/4	1 29/64	0.118
1 11/16	45	EOP-U209	ECP-U209	92.35	58	73	41	3
		EOP-U209-27	ECP-U209-27	3 41/64	2 9/32	2 7/8	1 39/64	0.118
1 13/16	50	EOP-U210	ECP-U210	96.35	62	79	47	3
		EOP-U210-31	ECP-U210-31	3 51/64	2 7/16	3 3/64	1 27/32	0.118
2		EOP-U210-32	ECP-U210-32					

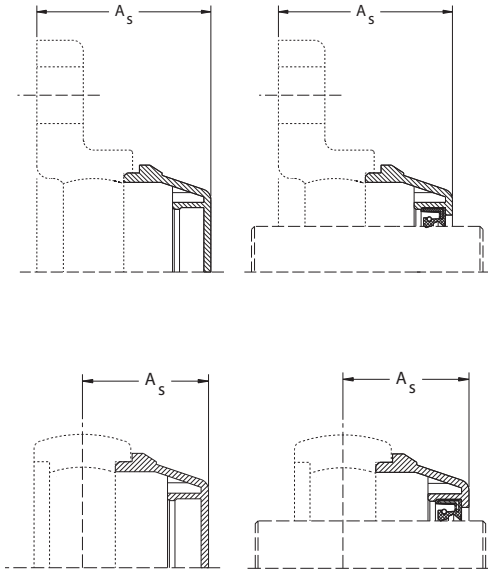
END COVER DIMENSIONS

STAINLESS STEEL END COVERS IN STAINLESS STEEL HOUSINGS



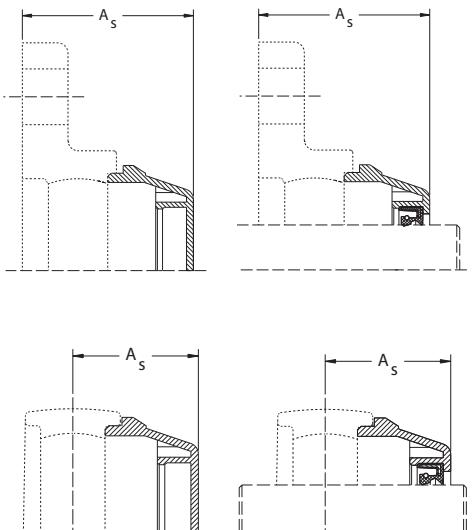
Basic Size	Dimension A_s				
	Stainless Steel End Covers in Stainless Steel Housings				
	Pillow Block	Tapped Base	Two Bolt	Four Bolt	Take-Up
	mm in.	mm in.	mm in.	mm in.	mm in.
204	22.5 0.886	22.5 0.886	37 1.457	37 1.457	22.5 0.886
205	24.5 0.965	24.5 0.965	39.5 1.555	39.5 1.555	24.5 0.965
206	26.5 1.043	26.5 1.043	44 1.732	44 1.732	26.5 1.043
207	30 1.181	30 1.181	49 1.929	49 1.929	30 1.181
208	34.5 1.358	34.5 1.358	55 2.165	55 2.165	34.5 1.358
209	34.5 1.358	34.5 1.358	56 2.205	56 2.205	34.5 1.358
210	36.5 1.437	36.5 1.437	58.5 2.303	58.5 2.303	36.5 1.437

POLYMER END COVERS IN POLYMER HOUSINGS



Basic Size	Dimension A _s				
	Polymer End Covers in Polymer Housings				
	Pillow Block	Two Bolt	Two Bolt	Four Bolt	Tapped Base
	mm in.	mm in.	mm in.	mm in.	mm in.
204	31.5 1.240	46.5 1.831	45.6 1.795	48 1.890	31.5 1.240
205	34 1.339	49.7 1.957	55.5 2.185	50.7 1.996	34 1.339
206	39.5 1.555	57.5 2.264	58.8 2.315	58.7 2.311	39.5 1.555
207	42.5 1.673	61.2 2.409	64.2 2.528	63.7 2.508	42.5 1.673
208	48 1.890	68.7 2.705	- -	70.7 2.783	48 1.890
209	52.5 2.067	74.5 2.933	- -	76.5 3.012	52.5 2.067
210	59.5 2.343	81.5 3.209	- -	84.5 3.209	59.5 2.343

POLYMER END COVERS IN STAINLESS STEEL HOUSINGS



Basic Size	Dimension A _s				
	Polymer End Covers in Stainless Steel Housings				
	Pillow Block	Two Bolt	Four Bolt	Take-Up	Tapped Base
	mm in.	mm in.	mm in.	mm in.	mm in.
204	31 1.220	45.5 1.791	45.5 1.791	31 1.220	31 1.220
205	34 1.339	49 1.929	49 1.929	34 1.339	34 1.339
206	40 1.575	57.5 2.264	57.5 2.264	40 1.575	40 1.575
207	43.5 1.713	62.5 2.461	62.5 2.461	43.5 1.713	43.5 1.713
208	49 1.929	69.5 2.736	69.5 2.736	49 1.929	49 1.929
209	53.5 2.106	75 2.953	75 2.953	53.5 2.106	53.5 2.106
210	60 2.362	82 3.228	82 3.228	60 2.362	60 2.362

***CORROSION-RESISTANT
PRODUCT OFFERING***

Current offering shown in catalog product tables:

- Stainless steel set screw ball bearing inserts available in 204-210 series (20 mm - 50 mm and ¾ in. - 2 in.).
- Cast stainless steel and polymer (thermoplastic) housing.

**TABLE 10.
CURRENT CORROSION-RESISTANT PRODUCT OFFERING**

Type	Housing Style	Stainless Housing							Polymer (Thermoplastic) Housing						
		Insert Series							Insert Series						
		204	205	206	207	208	209	210	204	205	206	207	208	209	210
Standard Housings (S, PL)	Pillow block (P)	●	●	●	●	●	●	●	●	●	●	●	●	●	●
	Two-bolt flange (FL)	●	●	●	●	●	●	●	●	●	●	●	●	●	●
	Three-bolt flange (FB)	●	●	●	●	●			●	●	●	●			
	Four-bolt flange (F)	●	●	●	●	●	●	●	●	●	●	●	●	●	●
	Take-up, wide slot (T)	●	●	●	●	●	●	●							
	Tapped base (TB)	●	●	●	●	●	●	●							
	Tapped base, Y series design with imperial thread (TBY)	●	●	●	●	●			●	●	●	●	●	●	●

● Current offering shown in catalog product tables.

● For product data, price and availability contact your local sales representative.

**DOWNLOAD 3D MODELS AND 2D DRAWINGS AT
CAD.TIMKEN.COM**



To view more Timken catalogs, go to www.timken.com/catalogs for interactive versions, or to download a catalog app for your smart phone or mobile device scan the QR code or go to timkencatalogs.com.

TIMKEN

The Timken team applies their know-how to improve the reliability and performance of machinery in diverse markets worldwide. The company designs, makes and markets bearings, gear drives, automated lubrication systems, belts, brakes, clutches, chain, couplings, linear motion products and related power transmission rebuild and repair services.

Stronger. By Design.

www.timken.com